



DESCRIPTION:  
 RJ45 With internal Magnetics Connector  
 Designed to support such applications as: Ethernet Equipment Complex, Switches, Routers, Firewalls, Servers and Hub  
 Internal magnetics are 100% electrically tested for functionality per IEEE802.3af/at requirement

ELECTRICAL:  
 RoHS peak wave solder temperature rating 235°C  
 High performance for maximum EMI suppression  
 JACK CAVITY CONFORMS TO FCC RULES AND REGULATIONS, PART 68 SUBPART F.

INSERTION FORCE:     2 CONTACTS----350g   4 CONTACTS----500g  
                           6 CONTACTS----750g   8 CONTACTS----900g  
                          10 CONTACTS----1050g

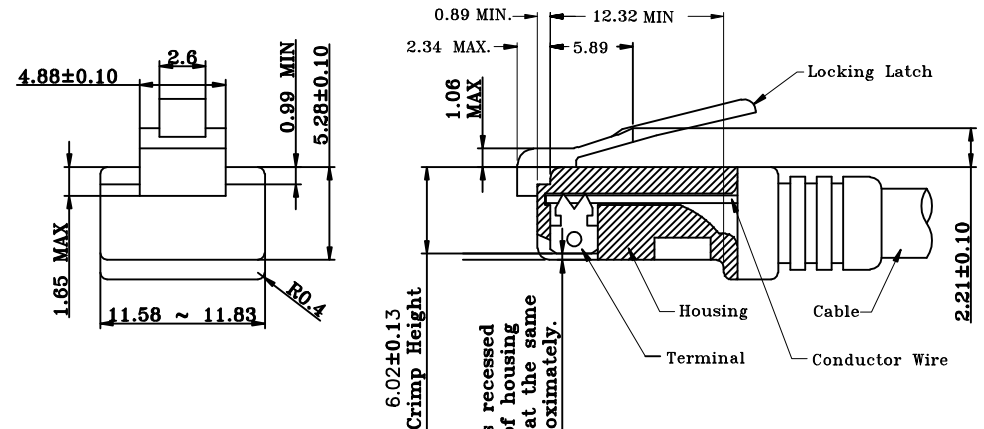
MECHANICAL:  
 RETENTION STRENGTH: 7.7Kgs BETWEEN JACK AND PLUG  
 DURABILITY: 750 MATING CYCLES Mini

HOUSING: 1) GLASS FILLED PA66 (UL 94V-0)  
 2) GLASS FILLED PA46/LCP (UL 94V-0)  
 3) GLASS FILLED PBT (UL 94V-0)

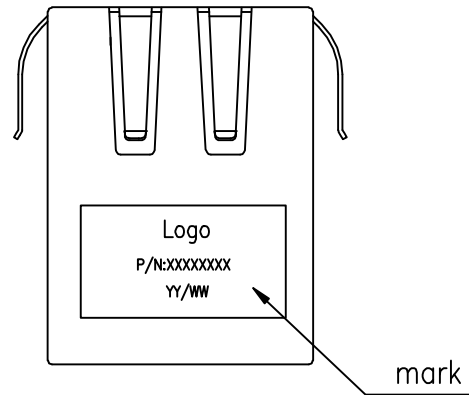
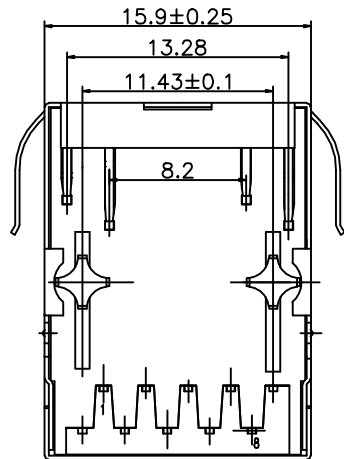
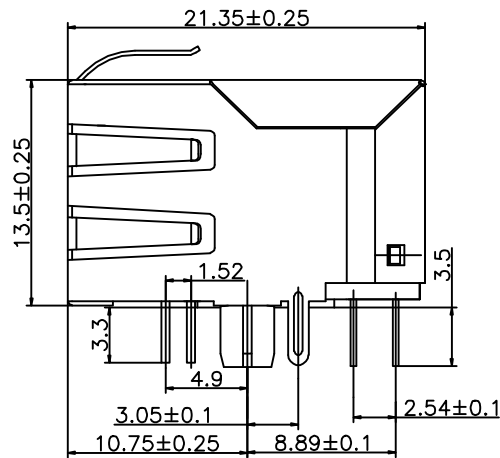
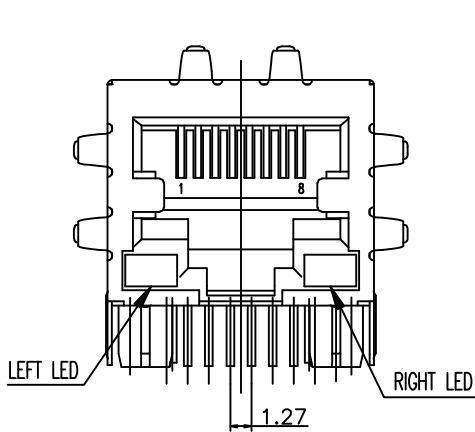
MATERIAL:  
 SPRING WIRE: 1) 0.2-0.45mm DIA PHOSPHOR BRONZE GOLD PLATING OVER NICKEL  
 2) 0.2-0.35mm THICKNESS PHOSPHOR BRONZE ALLOY SELECTIVE GOLD PLATING OVER NICKEL;

GOLD PLATING: 3μ#, 6μ#, 15μ#, 30μ#, 50μ#  
 WORKING TEMPERATURE: -20°C~70°C  
 TOLERANCES UNLESS OTHERWISE SPECIFIED :  
 0~10±0.15, 10~20±0.2, 20~40±0.25, 40~70±0.3, ≥70±0.4

1. Recommend Plug Dim



All dimensions follow :  
 FCC subpart F, 68,500, Figure (C)(2)(i)  
 IEC 60603-7  
 STANDARD MODULAR PLUG ASSEMBLY



NOTES : 1. Tolerance : PCB ±0.05mm  
 Connector ±0.25mm  
 2. Connector dimensions comply with FCC 68.5 dimension requirements

**B-TOP** 东莞市博腾电子科技有限公司  
 Dongguan BtopTech Electronic Technology Co., Ltd.

DIM.	TOL.	UNIT:	mm
X	±0.30	SCALE:	1:1
X.X	±0.20	SHEET:	2 of 2
X.XX	±0.15	DWG. SIZE:	A4
X.XXX	±0.10	LAYER:	XXXX
GENERAL ANGLE:		±3°	

WEBSITE:	WWW.BTOPTECH.COM
TEL:	0769-38928198
FAX:	0769-38928199
DRAWN:	
CHECKED:	
APPROVED:	

TITLE:	B50(27-145)F4-03-A223-B52
PART NO.:	TAB-DOWN 21.6 1X1Port 10/100BASE W/ SHELL W/ LED

XA	NEW RELEASE	xxxx	Jason	2018-May-19
REV.	DESCRIPTION	ECN NO.	NAME	DATE

REVISIONS

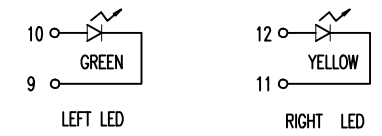
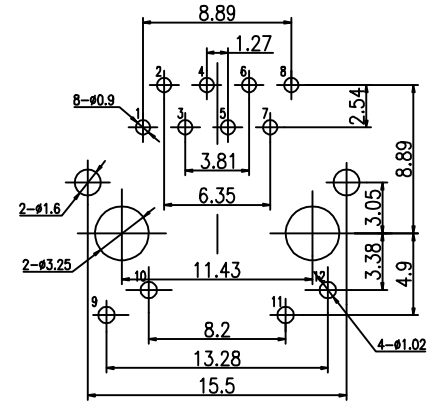
Meets or exceeds IEEE 802.3 standard for 10/100/1000 Base-TX  
 350 uH minimum OCL with 8mA DC bias current  
 Available with or without LEDs  
 Minimum 1500Vrms isolation per IEEE802.3 requirement  
 Operating temperature -40°C to +85°C  
 Storage temperature -40°C to +125°C

4.Pin Assignment For PCB Layout



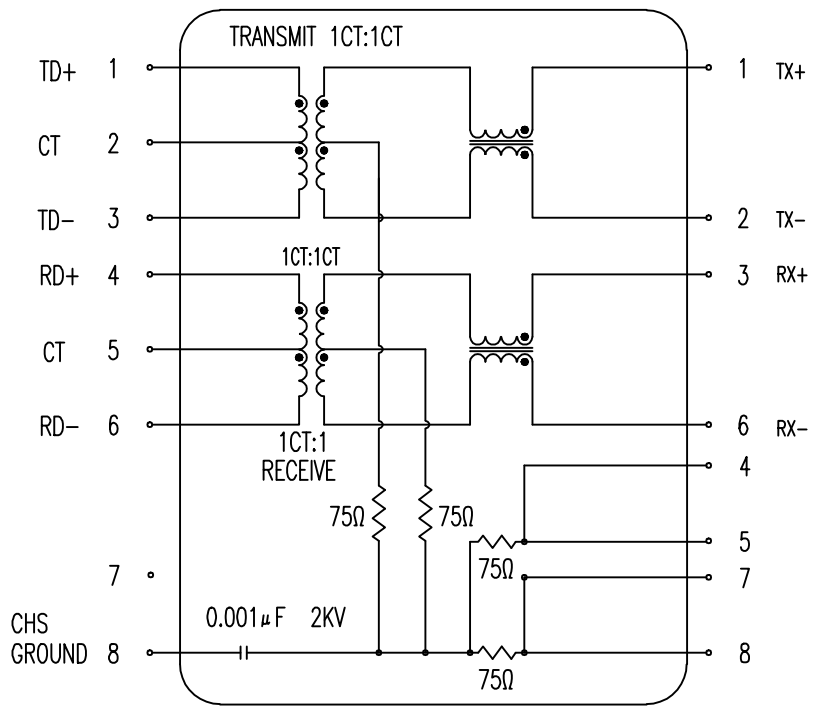
2.TRANSFORMER ELECTRICAL SPECIFICATIONS AT 25°C;

Insertion Loss (dB max.)	Return Loss (dB min.)				Cross talk (dB min.)			C.M.R. (dB min.)		Hi - pot ( Vrms )
	1-30 MHz	30-60 MHz	60-80 MHz		1-30 MHz	30-60 MHz	60-100 MHz	10-60 MHz	60-100 MHz	
1-100MHz	1-30 MHz	30-60 MHz	60-80 MHz		1-30 MHz	30-60 MHz	60-100 MHz	10-60 MHz	60-100 MHz	60Hz/1min.
-1.0	-18	-16	-12		-40	-35	-30	-40	-30	1500



Standard LED Color	LED Wavelength	Forward (V MAX)	Typical (V TYP)	Luminous Intensity
Green	560-580nm	2.5V	2.1-2.2V	9-25MCD
Yellow	580-610nm	2.5V	2.1-2.2V	9-30MCD

3.SCHEMATIC:



Suggested PCB Pad Layout  
Component Side View

LED Specification

5.ORDER INFORMATION

"B" with the company code

Series of products:  
 60:Double deck RJ45 connector+transformer series(In sidelong footprint);  
 59:Double deck RJ45 connector+transformer series(In vertical footprint);  
 50: Single RJ45 + transformer series;  
 52/53/55/56 LED/56/57/58: Ordinary RJ45 series;DX: that strip line series;  
 40: Conversion said Connectivity  
 80: Series that UK;  
 91: Automotive connector public Block;  
 92: Automotive connector mother Block;  
 93: HDMI the head;  
 94: HDMI mother Block;  
 95: SMT series;  
 96: RES for switches

Family code (sequence id) :1-99

Type of product code:  
 G: Gigabit RJ45 transformer;  
 F: 100Base RJ45 transformer;  
 W: for no transformer RJ45 products;  
 M: Series for board-to-board code

Number of magnetic ring

The No. of circuit

Product definition LOGO:  
 1-Press "B-TOP";2-No "B-TOP";  
 3- Other companies LOGO

Product definition plastic material:  
 1-PA66,2-PA46, 3-PA, 4-PA6, 5-PBT,  
 6-ABS, 7-PA9T,8-PC,9-LCP

Pin definition of the product:  
 F-Pin after; B-Pin back; C- No definition of the product

Electroplating product definition:  
 gold-plated terminals(degrees after nickel plated)  
 1-Fμ; 2-3μ;3-6μ; 4-15μ; 5-30μ;  
 6-50μ;7-(Ni-50μ;Sn-80-120μ).

Product shielding definition:  
 0-no shielding shell; 1-without shielding shell shrapnel;  
 2-shielding a shell shrapnel; 3-a half-shield shell;

Products luminous definition:  
 0- No LED; 1-Left Yellow Right Green; 2- Left Green Right Yellow; 3- Double Green; 4- Double Yellow; 5- LED straight for the pin; 6- A special definition; 7- Single linear LEDs

Products outport:  
 1-2X1,2-2X2,4-2X4,5-2X5,6-2X6,8-2X8 A-1X1,  
 B-1X2, C-1X4, D-1X5, E-1X6, T-1X8, U-(USB+RJ45), P-TAB  
 UP1X1, H-TAB UP1X2, K-TAB UP1X4;

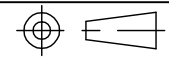
**B-TOP** 东莞市博腾电子科技有限公司  
 Dongguan BtopTech Electronic Technology Co., Ltd.

DIM. TOL.  
 X ±0.30  
 X.X ±0.20  
 X.XX ±0.15  
 X.XXX ±0.10  
 GENERAL ANGLE:  
 ±3°

UNIT: mm  
 SCALE: 1:1  
 SHEET: 2 of 2  
 DWG. SIZE: A4  
 LAYER: XXXX

WEBSITE: WWW.BTOPTECH.COM  
 WWW.BTOPTECH.CN  
 TEL: 0769-38928198  
 FAX: 0769-38928199

TITLE: B50(27-145)F4-03-A223-B52  
 PART NO.: TAB-DOWN 21.6 1X1Port 10/100 BASE W/ SHELL W/ LED



XA	NEW RELEASE	xxxx	Jason	2018-May-19
REV.	DESCRIPTION	ECN NO.	NAME	DATE

REVISIONS