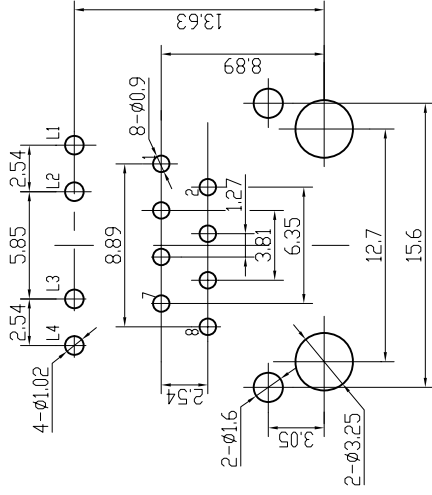
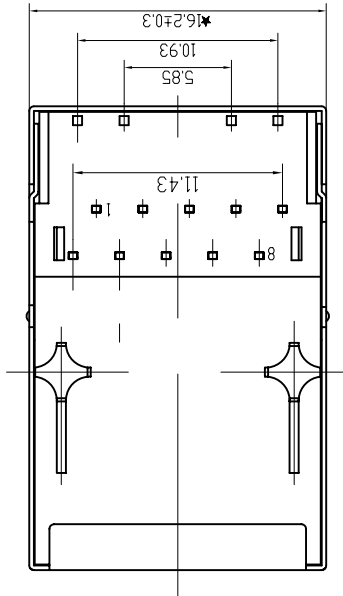


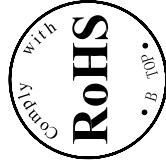
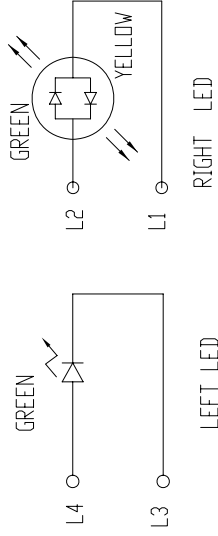
1



PCB BOARD LAYOUT

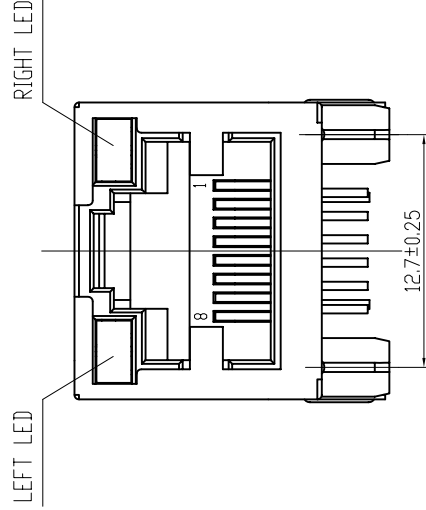
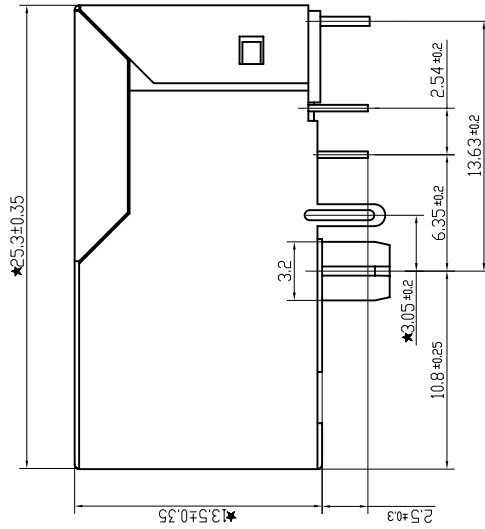
A

2



A

B



LED Specification

Standard Color	LED Wavelength (nm)	Forward Voltage (V MAX)	Typical (V TYP)	Luminous Intensity (mcd)
Green	560-580 nm	2.5V	21-22V	9-25 MCD
Yellow	580-610 nm	2.5V	21-22V	9-30 MCD
Orange	580-610 nm	2.5V	21-22V	50-100 MCD

1. LED intensity/wavelength measured with Photo Research PR-650 Colorimeter
 2. With a forward current of 20 mA, Absolute Maximum Ratings (Ta=25°C)

TOLERANCES UNLESS OTHERWISE SPECIFIED :

- 0-10±0.15, 10-20±0.2, 20-40±0.25, 40-70±0.3, >70±0.4
- JACK CAVITY CONFORMS TO FCC RULES AND REGULATIONS, PART 68 SUBPART F.

B

B-TOP® Dongguan BroadTop Electronic Technology Co., Ltd.

TEL: 0769-38826198
 FAX: 0769-38826199
 Website: www.BtopTech.com

DESCRIPTION: B50(29-59)F4-100-P613-B92(TAB UP 12.7 G-GY LED)字號

MODEL NO. UNIT SCALE 2.5:1 mm REV. V1.0

20170328

1

2

DESCRIPTION

RJ45 With internal Magnetics Connector

Designed to support such applications as: Ethernet Equipment Complex, Switches, Routers, Firewalls, Servers and Hub
Internal magnetics are 100% electrically tested for functionality per IEEE802.3af/at requirement

ELECTRICAL: RoHS peak wave solder temperature rating 235°C
High performance for maximum EMI suppression
350uH minimum OCL with 8mA bias current
PoE rating: 15W, 350mA, 48V (For PoE Products only)

JACK CAVITY CONFORMS TO FCC RULES AND REGULATIONS, PART 68 SUBPART F.

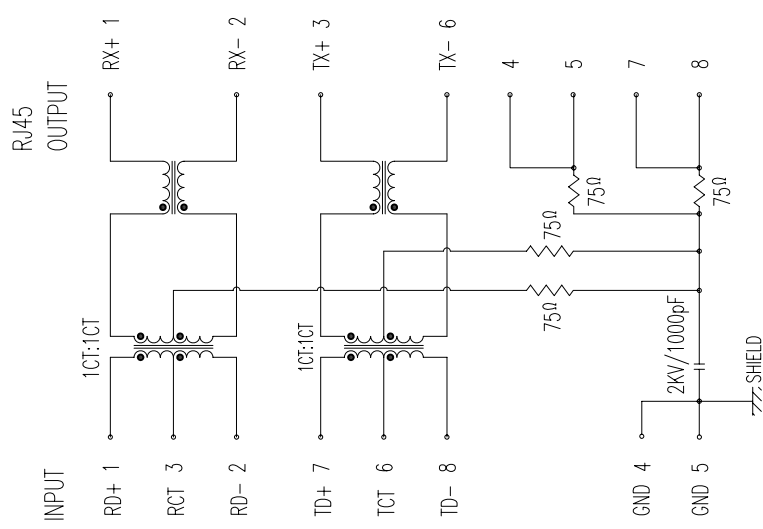
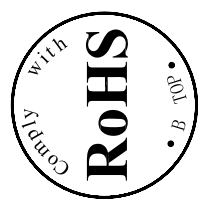
INSERTION FORCE: 2 CONTACTS-----350g 4 CONTACTS-----500g
6 CONTACTS-----750g 8 CONTACTS-----900g
10 CONTACTS-----1050g

RETENTION STRENGTH: 7.7Kgs BETWEEN JACK AND PLUG
DURABILITY: 750 MATING CYCLES Mini

HOUSING: 1) GLASS FILLED PA66 (UL 94V-0)
2) GLASS FILLED PA46/LCP (UL 94V-0)
3) GLASS FILLED PBT (UL 94V-0)

MATERIAL: SPRING WIRE: 1) 0.2-0.45mm DIA PHOSPHOR BRONZE GOLD PLATING OVER NICKEL
2) 0.2-0.35mm THICKNESS PHOSPHOR BRONZE ALLOY SELECTIVE GOLD PLATING OVER NICKEL
SHIELDING: 0.12-0.24mm THICKNESS COPPER ALLOY WITH TIN PLATED
GOLD PLATING: 3µ", 6µ", 15µ", 30µ", 50µ"

WORKING TEMPERATURE: -20°C~70°C
TOLERANCES UNLESS OTHERWISE SPECIFIED : 0~10±0.15, 10~20±0.2, 20~40±0.25, 40~70±0.3, >70±0.4



B

"B" with the company code
Series of products: 60-Double deck RJ45 connector + transformer series (in sidelong footprint); 80-Double deck RJ45 connector + transformer series (in vertical footprint); 50: Single RJ45 + transformer series; 50: 50: LED/58/57/59: Ordinary RJ45 series; 80: that strip line series; 40: Conversion series; 80: Connectivity; 80: Series that 0: 91: Automotive connector public block; 92: Automotive connector mother block; 93: IBM1 the head; 94: IBM1 mother block; 95: SIMI Series; 96: IIS for series.

Product definition LOGO: 1 - Press B - TOP
2- No "B" - TOP; 3- Other companies LOGO
Product definition plastic materials: 1-PA66, 2-PA46, 3-PA, 4-PAG, 5-PBT, 6-ABS, 7-PA9T, 8-PC, 9-LCP
Pin definition of the product: F-Pin after B-Pin back; C- No definition of the product
Electroplating product definition: gold-plated terminals (degrees after nickel plated) F-P: *2-3µ" ; 2-3µ" ; 4-15µ" ; 5-30µ" ; 6-50µ" ; 7-IN-50µ" ; Sh-50-(20µ")
Product shielding definition: 0 - no shielding shell; 1 - without shielding shell; 2 - shielding a small snapnet; 3 - a half-shield shell

Products out part: 1-2X1*, 2-2X2*, 2-2X4*, 2-2X6*, 2-2X8*, 4-1X1*, 6-1X2*, 6-1X4*, 6-1X5*, 6-1X8*, 6-1X8 (U-USB/RUB), 6-1X8 UPR1X*, 6-1X8 UPR2X*, 6-1X8 UPR3X*, 6-1X8 UPR4X*, 6-1X8 UPR5X*, 6-1X8 UPR6X*, 6-1X8 UPR7X*, 6-1X8 UPR8X*

A

Product definition LOGO: 1 - Press B - TOP
2- No "B" - TOP; 3- Other companies LOGO
Product definition plastic materials: 1-PA66, 2-PA46, 3-PA, 4-PAG, 5-PBT, 6-ABS, 7-PA9T, 8-PC, 9-LCP
Pin definition of the product: F-Pin after B-Pin back; C- No definition of the product
Electroplating product definition: gold-plated terminals (degrees after nickel plated) F-P: *2-3µ" ; 2-3µ" ; 4-15µ" ; 5-30µ" ; 6-50µ" ; 7-IN-50µ" ; Sh-50-(20µ")
Product shielding definition: 0 - no shielding shell; 1 - without shielding shell; 2 - shielding a small snapnet; 3 - a half-shield shell

Products out part: 1-2X1*, 2-2X2*, 2-2X4*, 2-2X6*, 2-2X8*, 4-1X1*, 6-1X2*, 6-1X4*, 6-1X5*, 6-1X8*, 6-1X8 (U-USB/RUB), 6-1X8 UPR1X*, 6-1X8 UPR2X*, 6-1X8 UPR3X*, 6-1X8 UPR4X*, 6-1X8 UPR5X*, 6-1X8 UPR6X*, 6-1X8 UPR7X*, 6-1X8 UPR8X*

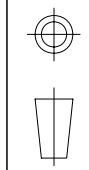
ELECTRICAL SPECIFICATIONS AT 25°C

Insertion Loss dB max	Return Loss dB min	Crosstalk (dB TYP)	Common Mode Rejection (dB TYP)	Hipot (vrms)
				1500/0.5mA OR 22500C/0.1mA
1-125MHz	1-30MHz	30- 80MHz	1- 100MHz	1-100MHz
-1.2	-18	-18+20log(f/30MHz)	-30	-30

B-TOP® 东莞市博腾电子科技有限公司, Ltd.

Dongguan BroadTop Electronic Technology Co., Ltd.

TEL: 0769-38926198
FAX: 0769-38926199
www.BtopTech.cn
Website



FIRST ANGLE PROJECTION

BT F4-100

SCALE 1.8:1 UNIT mm

MODEL NO. B80010010011

REV.