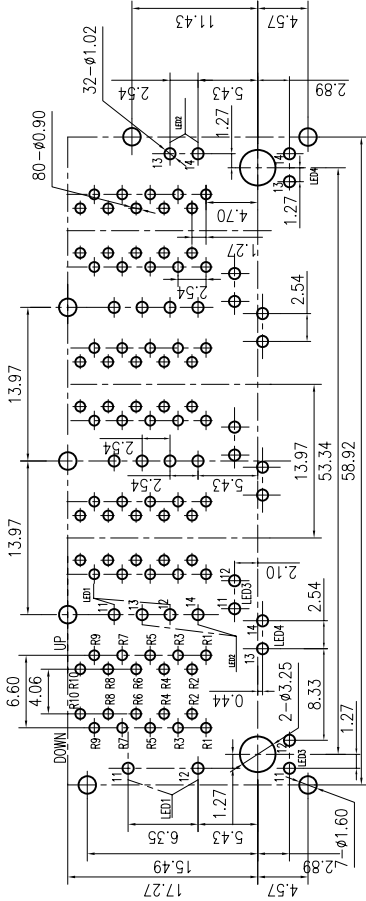
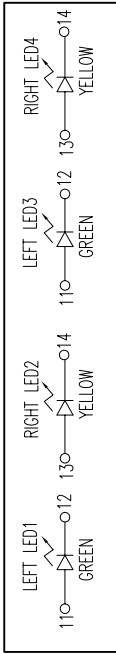
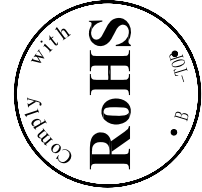


1



PCB BOARD LAYOUT

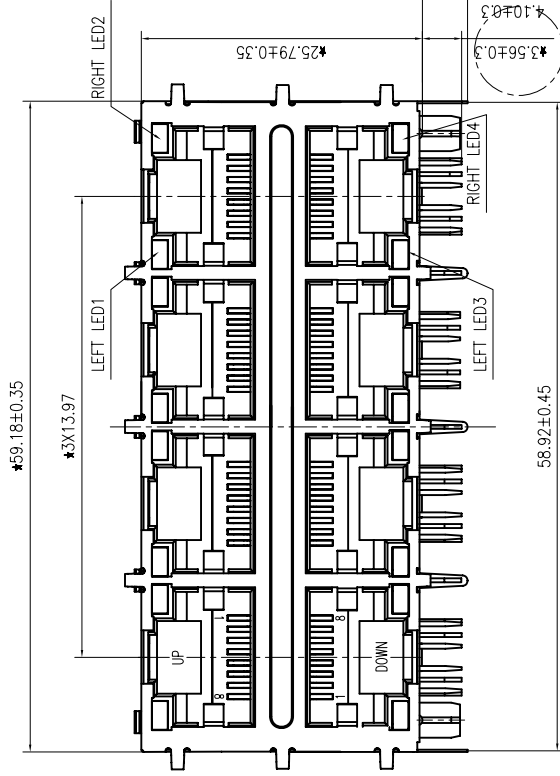
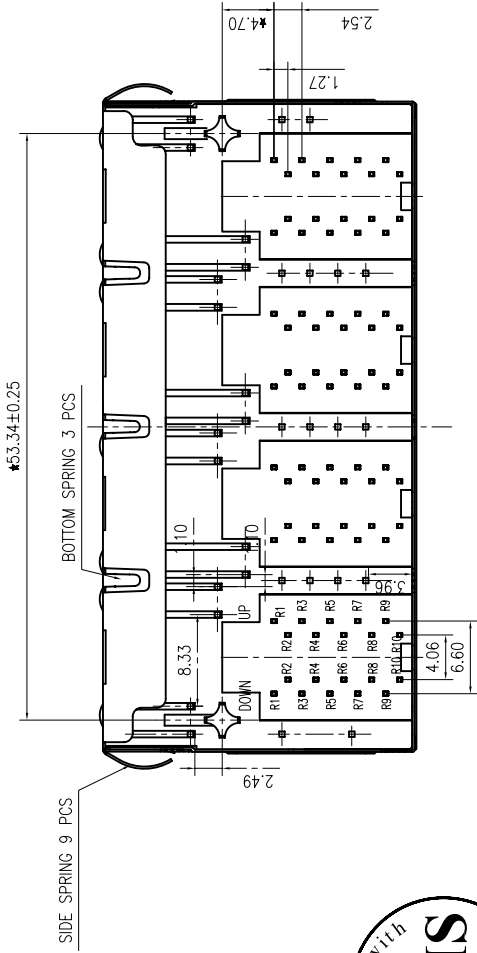


Standard LED Color	LED Wavelength	Forward (V MAX)	Typical (V TYP)	Luminous Intensity
Green	560-580 nm	2.5V	2.1-2.2V	9-25 MCD
Yellow	580-610 nm	2.5V	2.1-2.2V	9-30 MCD
Orange	580-610 nm	2.5V	2.1-2.2V	50-100 MCD

- 1. LED intensity/wavelength measured with Photo Research PR-650 Colorimeter
- 2. With a forward current of 20 mA, Absolute Maximum Ratings ($T_a=25^{\circ}C$)

- 1: TOLERANCES UNLESS OTHERWISE SPECIFIED :
 0~10±0.15, 10~20±0.2, 20~40±0.25,
 40~70±0.3, >70±0.4
- 2: JACK CAVITY CONFORMS TO FCC RULES AND REGULATIONS, PART 68 SUBPART F.

2



A

B

B-TOP 东莞博腾电子科技有限公司 Dongguan BroadTop Electronic Technology Co., Ltd.		Designed	MATERIAL	DESCRIPTION	REV.
FIRST ANGLE PROJECTION	TEL: 0789-38926198	Checked		B59(112-20)C8-56F-4225-C12(2X4 EMI G-Y LED#PIN 300)	
	FAK: 0789-38926199	Approved	SCALE		
	Website: www.BroadTech.com		UNIT	mm	
			1.5:1		

2

