

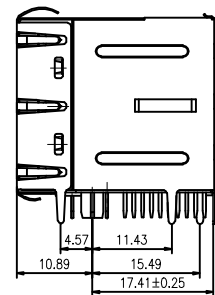
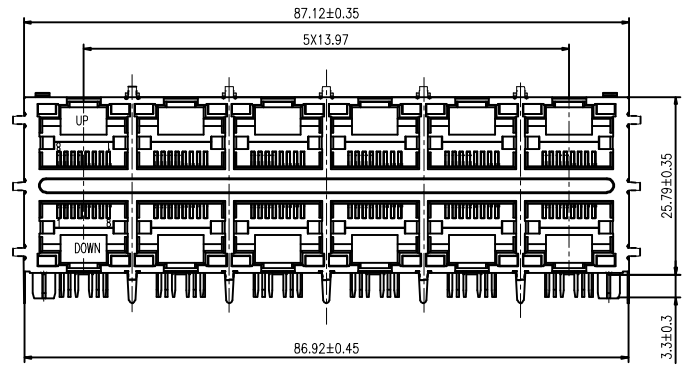
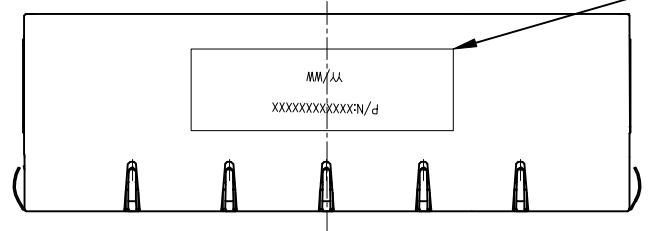


DESCRIPTION:
 RJ45 With internal Magnetics Connector
 Designed to support such applications as:Ethernet Equipment Complex,
 Switches,Routers,Firewalls,Servers and Hub
 Internal magnetics are 100% electrically tested for functionality
 per IEEE802.3af/at requirement
 ELECTRICAL:
 RoHS peak wave solder temperature rating 235°C
 High performance for maximum EMI suppression
 JACK CAVITY CONFORMS TO FCC RULES AND REGULATIONS,PART 68 SUBPART F.
 INSERTION FORCE: 2 CONTACTS----350g 4 CONTACTS----500g
 6 CONTACTS----750g 8 CONTACTS----900g
 10 CONTACTS----1050g

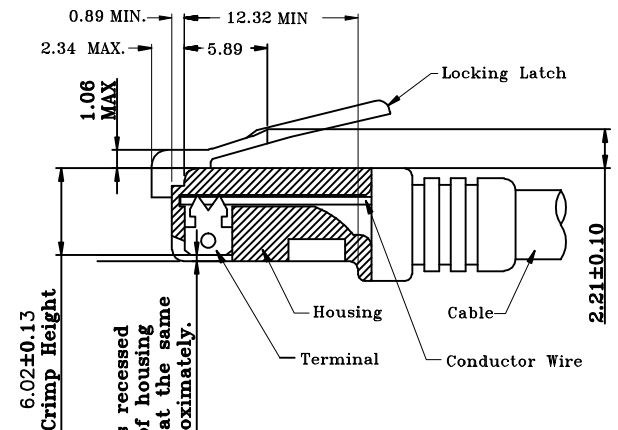
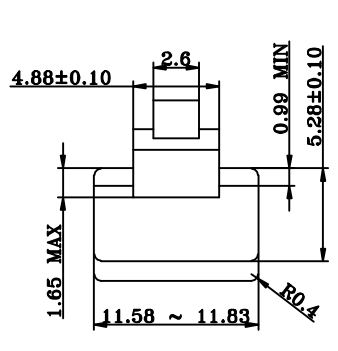
MECHANICAL:
 RETENTION STRENGTH: 7.7Kgs BETWEEN JACK AND PLUG
 DURABILITY: 750 MATING CYCLES Mini
 HOUSING: 1) GLASS FILLED PA66 (UL 94V-0)
 2) GLASS FILLED PA46/LCP (UL 94V-0)
 3) GLASS FILLED PBT (UL 94V-0)

MATERIAL:
 SPRING WIRE: 1) 0.2-0.45mm DIA PHOSPHOR BRONZE GOLD PLATING OVER NICKEL
 2) 0.2-0.35mm THICKNESS PHOSPHOR BRONZE ALLOY SELECTIVE GOLD
 PLATING OVER NICKEL;
 GOLD PLATING: 3μ#, 6μ#, 15μ#, 30μ#, 50μ#
 TOLERANCES UNLESS OTHERWISE SPECIFIED :
 0-10±0.15, 10-20±0.2, 20-40±0.25, 40-70±0.3, ≥70±0.4

mark



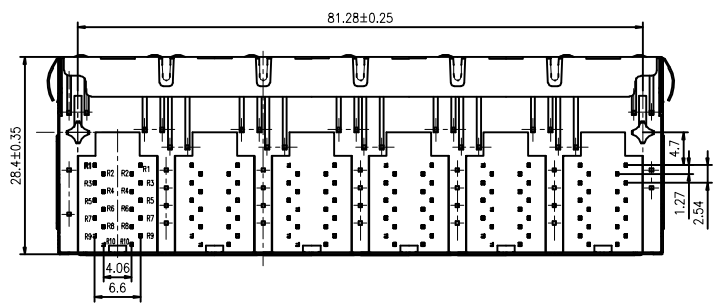
1.Recommend Plug Dim



All contacts recessed below top of housing and must be at the same height approximately.

All dimensions follow :
 FCC subpart F, 68,500, Figure (C)(2)(i)
 IEC 60603-7

STANDARD MODULAR PLUG ASSEMBLY



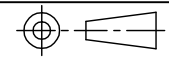
NOTES : 1. Tolerance : PCB ±0.05mm
 Connector ±0.25mm
 2. Connector dimensions comply with FCC 68.5 dimension requirements

B-TOP 东莞市博腾电子科技有限公司
 Dongguan BtopTech Electronic Technology Co., Ltd.

DIM.	TOL.
X	±0.30
X.X	±0.20
X.XX	±0.15
X.XXX	±0.10
GENERAL ANGLE: ±3°	

TITLE: B59(168-24)W-000-6113-C12

PART NO.: 2X6 Port No transformer W/ SHELL W/ LED



UNIT:	mm
SCALE:	1:1
SHEET:	1 of 2
DWG. SIZE:	A4
LAYER:	XXXX

WEBSITE:	WWW.BTOPTECH.COM WWW.BTOPTECH.CN
TEL:	0769-38928198
FAX:	0769-38928199
DRAWN:	
CHECKED:	
APPROVED:	

REV.	DESCRIPTION	ECN NO.	NAME	DATE
XA	NEW RELEASE	xxxx	Jason	2018-Apr-19

REVISIONS

A

B

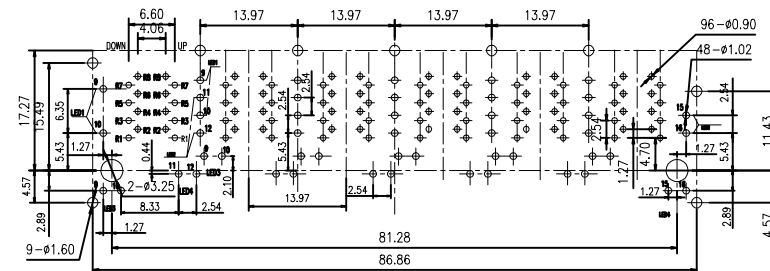
C

D

E

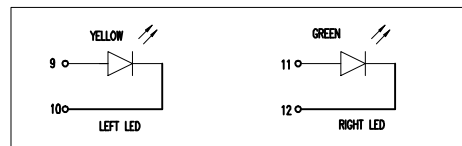
3.Pin Assignment For PCB Layout

Meets or exceeds IEEE 802.3 standard for No transformer
Available with or without LEDs
Operating temperature -40°C to +85°C
Storage temperature -40°C to +85°C



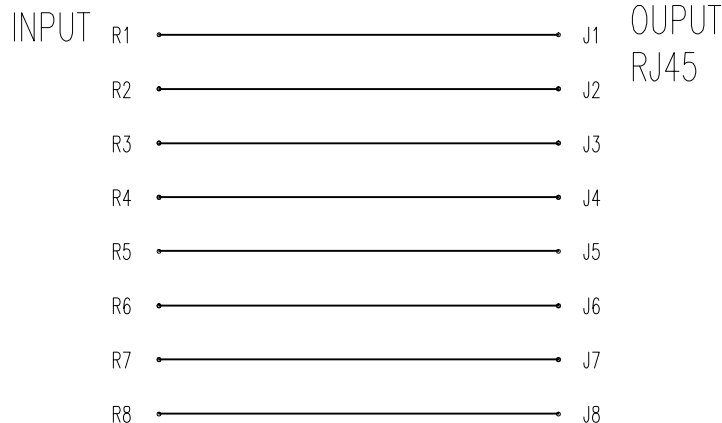
Suggested PCB Pad Layout
Component Side View

2.SCHEMATIC:

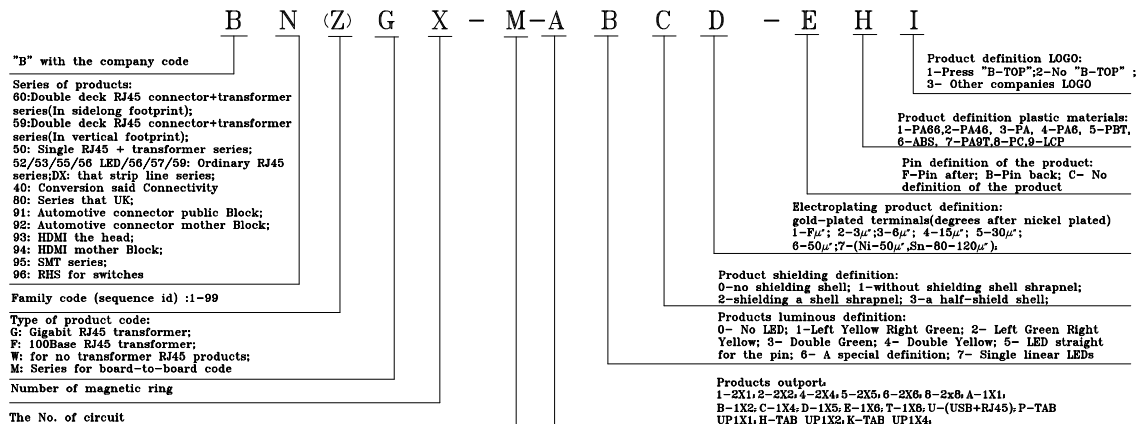


Standard LED Color	LED Wavelength	Forward (V MAX)	Typical (V TYP)	Luminous Intensity
Green	560-580 nm	2.5V	2.1-2.2V	9-25 MCD
Yellow	580-610 nm	2.5V	2.1-2.2V	9-30 MCD
Orange	580-610 nm	2.5V	2.1-2.2V	50-100 MCD

LED Specification



4.ORDER INFORMATION

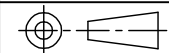


东莞市博腾电子科技有限公司

Dongguan BtopTech Electronic Technology Co., Ltd.

DIM.	TOL.
X	± 0.30
X.X	± 0.20
X.XX	± 0.15
X.XXX	± 0.10

GENERAL ANGLE:
 $\pm 3^\circ$



TITLE: B59(168-24)W-000-6113-C12

PART NO.: 2X6 Port No transformer W/ SHELL W/ LED

UNIT: mm

SCALE: 1:1

SHEET: 2 of 2

DWG. SIZE: A4

LAYER: XXXX

WEBSITE: WWW.BTOPTECH.COM
WWW.BTOPTECH.CN
TEL: 0769-38928198
FAX: 0769-38928199

DRAWN:

CHECKED:

APPROVED:

XA NEW RELEASE xxxx Jason 2018-Apr-19

REV. DESCRIPTION ECN NO. NAME DATE

REVISIONS