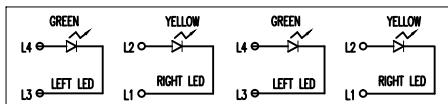


连线规则

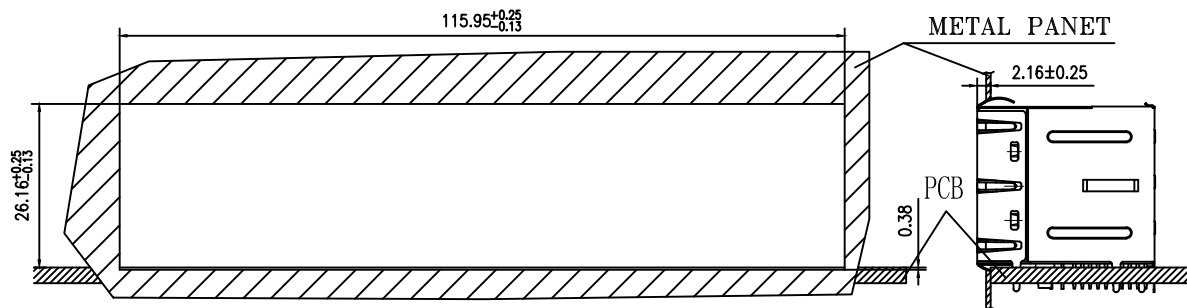
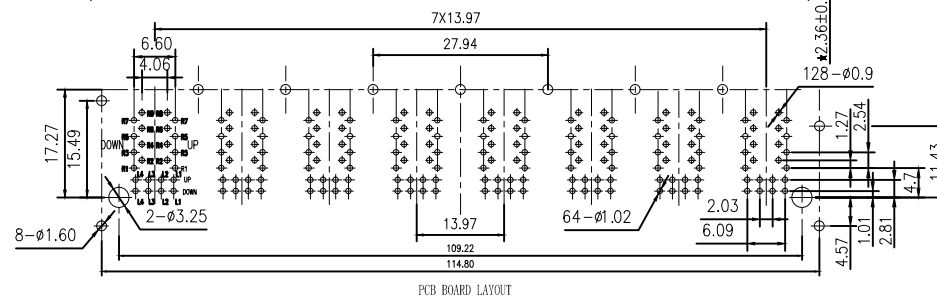
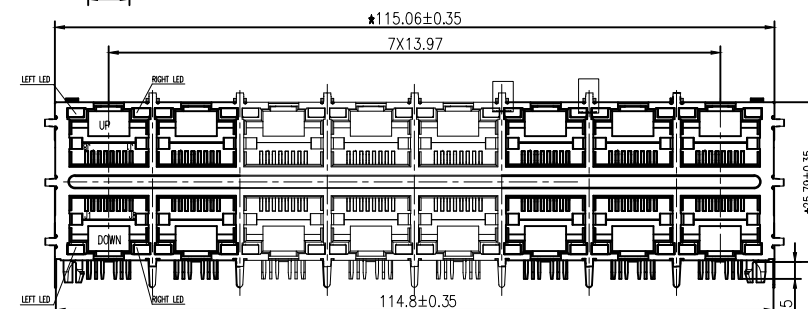
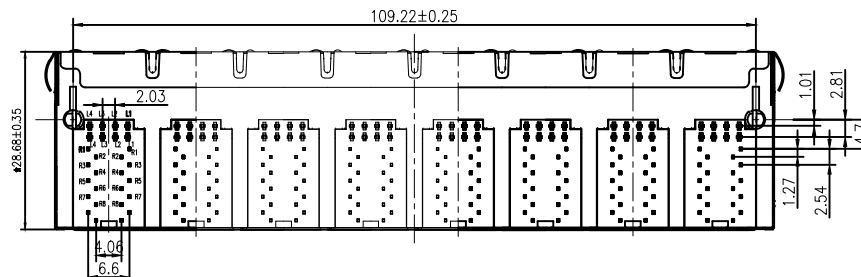
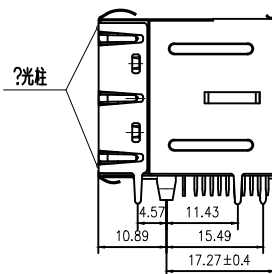


LED Specification

Standard LED Color	LED Wavelength	Forward (V MAX)	Typical (V TYP)	Luminous Intensity
Green	560-580 nm	2.5V	2.1-2.2V	9-25 MCD
Yellow	580-610 nm	2.5V	2.1-2.2V	9-30 MCD
Orange	580-610 nm	2.5V	2.1-2.2V	50-100 MCD

- LED intensity/wavelength measured with Photo Research PR-650 Colormeter
- With a forward current of 20 mA, Absolute Maximum Ratings (Ta=25°C)

- 1: TOLERANCES UNLESS OTHERWISE SPECIFIED :
 0±0.15, 10±0.2, 20±0.25,
 40±0.3, 70±0.4
- 2: JACK CAVITY CONFORMS TO FCC RULES AND REGULATIONS, PART 68 SUBPART F.



B N (Z) G X - M - A B C D - E H I

B with the company code
 Series of products: 60-Double deck RJ45 connector + transformer series(In side long footprint); 59-Double deck RJ45 connector + transformer series(In vertical footprint); 58-Single RJ45 + transformer series; 52/53/55/59 LED/56/57/59: Ordinary RJ45 series; 0X: that strip line series; 46: Conversion sold
 Connectivity: 48: Series that UK; 91: Automotive connector public Block; 92: Automotive connector another Block; 93: HMI the head; 94: LED another Block; 95: SMT series; 96: 888 for vehicles
 Family code (sequence id): 1-99
 Type of product code: 0: Single RJ45 transformer; F: 180Watt RJ45 transformer; U: for a transformer 52B product; F: Series for barcode code
 Number of magnetic ring
 The No. of circuit

Product definition LOGO: 1 - Press "B-TOP"; 2 - No "B-TOP"; 3 - Other companies LOGO
 Product definition plastic materials: 1-PA66 2-PA46 3-PA 4-PA6 5-PBT 6-ABS 7-PA9T 8-PC 9-UL94
 Pin definition of the product: F-Pin after; B-Pin back; C- No definition of the product
 Electroplating product definition: gold-plated terminals(degrees after nickel plated) 2F: "2.5μ" 2G: "4-15μ" 5-30μ" 6-50μ" 7-4N-50μ" 8n-90(20μ")
 Product shielding definition: 0 - no shielding shell; 1 - without shielding shell shrapnel; 2 - shielding a shell shrapnel; 3 - a half-shield shell
 Products luminous definition: 0 - No LED; 1 - 4 left Yellow Right Green; 2 - 1 Left Green Right Yellow; 3 - Double Green; 4 - Double Yellow; 5 - LED straight for the pin; 6 - A special definition; 7 - Single linear LEDs
 Products cat part: "F-201" "F-202" "F-204" "F-205" "F-207" "F-208" "F-209" "F-210" "F-211" "F-212" "F-213" "F-214" "F-215" "F-216" "F-217" "F-218" "F-219" "F-220" "F-221" "F-222" "F-223" "F-224" "F-225" "F-226" "F-227" "F-228" "F-229" "F-230" "F-231" "F-232" "F-233" "F-234" "F-235" "F-236" "F-237" "F-238" "F-239" "F-240" "F-241" "F-242" "F-243" "F-244" "F-245" "F-246" "F-247" "F-248" "F-249" "F-250" "F-251" "F-252" "F-253" "F-254" "F-255" "F-256" "F-257" "F-258" "F-259" "F-260" "F-261" "F-262" "F-263" "F-264" "F-265" "F-266" "F-267" "F-268" "F-269" "F-270" "F-271" "F-272" "F-273" "F-274" "F-275" "F-276" "F-277" "F-278" "F-279" "F-280" "F-281" "F-282" "F-283" "F-284" "F-285" "F-286" "F-287" "F-288" "F-289" "F-290" "F-291" "F-292" "F-293" "F-294" "F-295" "F-296" "F-297" "F-298" "F-299" "F-300" "F-301" "F-302" "F-303" "F-304" "F-305" "F-306" "F-307" "F-308" "F-309" "F-310" "F-311" "F-312" "F-313" "F-314" "F-315" "F-316" "F-317" "F-318" "F-319" "F-320" "F-321" "F-322" "F-323" "F-324" "F-325" "F-326" "F-327" "F-328" "F-329" "F-330" "F-331" "F-332" "F-333" "F-334" "F-335" "F-336" "F-337" "F-338" "F-339" "F-340" "F-341" "F-342" "F-343" "F-344" "F-345" "F-346" "F-347" "F-348" "F-349" "F-350" "F-351" "F-352" "F-353" "F-354" "F-355" "F-356" "F-357" "F-358" "F-359" "F-360" "F-361" "F-362" "F-363" "F-364" "F-365" "F-366" "F-367" "F-368" "F-369" "F-370" "F-371" "F-372" "F-373" "F-374" "F-375" "F-376" "F-377" "F-378" "F-379" "F-380" "F-381" "F-382" "F-383" "F-384" "F-385" "F-386" "F-387" "F-388" "F-389" "F-390" "F-391" "F-392" "F-393" "F-394" "F-395" "F-396" "F-397" "F-398" "F-399" "F-400" "F-401" "F-402" "F-403" "F-404" "F-405" "F-406" "F-407" "F-408" "F-409" "F-410" "F-411" "F-412" "F-413" "F-414" "F-415" "F-416" "F-417" "F-418" "F-419" "F-420" "F-421" "F-422" "F-423" "F-424" "F-425" "F-426" "F-427" "F-428" "F-429" "F-430" "F-431" "F-432" "F-433" "F-434" "F-435" "F-436" "F-437" "F-438" "F-439" "F-440" "F-441" "F-442" "F-443" "F-444" "F-445" "F-446" "F-447" "F-448" "F-449" "F-450" "F-451" "F-452" "F-453" "F-454" "F-455" "F-456" "F-457" "F-458" "F-459" "F-460" "F-461" "F-462" "F-463" "F-464" "F-465" "F-466" "F-467" "F-468" "F-469" "F-470" "F-471" "F-472" "F-473" "F-474" "F-475" "F-476" "F-477" "F-478" "F-479" "F-480" "F-481" "F-482" "F-483" "F-484" "F-485" "F-486" "F-487" "F-488" "F-489" "F-490" "F-491" "F-492" "F-493" "F-494" "F-495" "F-496" "F-497" "F-498" "F-499" "F-500" "F-501" "F-502" "F-503" "F-504" "F-505" "F-506" "F-507" "F-508" "F-509" "F-510" "F-511" "F-512" "F-513" "F-514" "F-515" "F-516" "F-517" "F-518" "F-519" "F-520" "F-521" "F-522" "F-523" "F-524" "F-525" "F-526" "F-527" "F-528" "F-529" "F-530" "F-531" "F-532" "F-533" "F-534" "F-535" "F-536" "F-537" "F-538" "F-539" "F-540" "F-541" "F-542" "F-543" "F-544" "F-545" "F-546" "F-547" "F-548" "F-549" "F-550" "F-551" "F-552" "F-553" "F-554" "F-555" "F-556" "F-557" "F-558" "F-559" "F-560" "F-561" "F-562" "F-563" "F-564" "F-565" "F-566" "F-567" "F-568" "F-569" "F-570" "F-571" "F-572" "F-573" "F-574" "F-575" "F-576" "F-577" "F-578" "F-579" "F-580" "F-581" "F-582" "F-583" "F-584" "F-585" "F-586" "F-587" "F-588" "F-589" "F-590" "F-591" "F-592" "F-593" "F-594" "F-595" "F-596" "F-597" "F-598" "F-599" "F-600" "F-601" "F-602" "F-603" "F-604" "F-605" "F-606" "F-607" "F-608" "F-609" "F-610" "F-611" "F-612" "F-613" "F-614" "F-615" "F-616" "F-617" "F-618" "F-619" "F-620" "F-621" "F-622" "F-623" "F-624" "F-625" "F-626" "F-627" "F-628" "F-629" "F-630" "F-631" "F-632" "F-633" "F-634" "F-635" "F-636" "F-637" "F-638" "F-639" "F-640" "F-641" "F-642" "F-643" "F-644" "F-645" "F-646" "F-647" "F-648" "F-649" "F-650" "F-651" "F-652" "F-653" "F-654" "F-655" "F-656" "F-657" "F-658" "F-659" "F-660" "F-661" "F-662" "F-663" "F-664" "F-665" "F-666" "F-667" "F-668" "F-669" "F-670" "F-671" "F-672" "F-673" "F-674" "F-675" "F-676" "F-677" "F-678" "F-679" "F-680" "F-681" "F-682" "F-683" "F-684" "F-685" "F-686" "F-687" "F-688" "F-689" "F-690" "F-691" "F-692" "F-693" "F-694" "F-695" "F-696" "F-697" "F-698" "F-699" "F-700" "F-701" "F-702" "F-703" "F-704" "F-705" "F-706" "F-707" "F-708" "F-709" "F-710" "F-711" "F-712" "F-713" "F-714" "F-715" "F-716" "F-717" "F-718" "F-719" "F-720" "F-721" "F-722" "F-723" "F-724" "F-725" "F-726" "F-727" "F-728" "F-729" "F-730" "F-731" "F-732" "F-733" "F-734" "F-735" "F-736" "F-737" "F-738" "F-739" "F-740" "F-741" "F-742" "F-743" "F-744" "F-745" "F-746" "F-747" "F-748" "F-749" "F-750" "F-751" "F-752" "F-753" "F-754" "F-755" "F-756" "F-757" "F-758" "F-759" "F-760" "F-761" "F-762" "F-763" "F-764" "F-765" "F-766" "F-767" "F-768" "F-769" "F-770" "F-771" "F-772" "F-773" "F-774" "F-775" "F-776" "F-777" "F-778" "F-779" "F-780" "F-781" "F-782" "F-783" "F-784" "F-785" "F-786" "F-787" "F-788" "F-789" "F-790" "F-791" "F-792" "F-793" "F-794" "F-795" "F-796" "F-797" "F-798" "F-799" "F-800" "F-801" "F-802" "F-803" "F-804" "F-805" "F-806" "F-807" "F-808" "F-809" "F-810" "F-811" "F-812" "F-813" "F-814" "F-815" "F-816" "F-817" "F-818" "F-819" "F-820" "F-821" "F-822" "F-823" "F-824" "F-825" "F-826" "F-827" "F-828" "F-829" "F-830" "F-831" "F-832" "F-833" "F-834" "F-835" "F-836" "F-837" "F-838" "F-839" "F-840" "F-841" "F-842" "F-843" "F-844" "F-845" "F-846" "F-847" "F-848" "F-849" "F-850" "F-851" "F-852" "F-853" "F-854" "F-855" "F-856" "F-857" "F-858" "F-859" "F-860" "F-861" "F-862" "F-863" "F-864" "F-865" "F-866" "F-867" "F-868" "F-869" "F-870" "F-871" "F-872" "F-873" "F-874" "F-875" "F-876" "F-877" "F-878" "F-879" "F-880" "F-881" "F-882" "F-883" "F-884" "F-885" "F-886" "F-887" "F-888" "F-889" "F-890" "F-891" "F-892" "F-893" "F-894" "F-895" "F-896" "F-897" "F-898" "F-899" "F-900" "F-901" "F-902" "F-903" "F-904" "F-905" "F-906" "F-907" "F-908" "F-909" "F-910" "F-911" "F-912" "F-913" "F-914" "F-915" "F-916" "F-917" "F-918" "F-919" "F-920" "F-921" "F-922" "F-923" "F-924" "F-925" "F-926" "F-927" "F-928" "F-929" "F-930" "F-931" "F-932" "F-933" "F-934" "F-935" "F-936" "F-937" "F-938" "F-939" "F-940" "F-941" "F-942" "F-943" "F-944" "F-945" "F-946" "F-947" "F-948" "F-949" "F-950" "F-951" "F-952" "F-953" "F-954" "F-955" "F-956" "F-957" "F-958" "F-959" "F-960" "F-961" "F-962" "F-963" "F-964" "F-965" "F-966" "F-967" "F-968" "F-969" "F-970" "F-971" "F-972" "F-973" "F-974" "F-975" "F-976" "F-977" "F-978" "F-979" "F-980" "F-981" "F-982" "F-983" "F-984" "F-985" "F-986" "F-987" "F-988" "F-989" "F-990" "F-991" "F-992" "F-993" "F-994" "F-995" "F-996" "F-997" "F-998" "F-999" "F-1000"

B-TOP® 东莞市博腾电子科技有限公司 Dongguan BroadTop Electronic Technology Co., Ltd.		Designed				MATERIAL				DESCRIPTION	B59(190-18)W-8223-C92(2X8 EMI G-Y LED 8PIN 光柱 7后脚)		
FIRST ANGLE PROJECTION		Checked				SCALE	1:1.2	UNIT	mm	MODEL NO.			
TEL: 0769-38926198 FAX: 0769-38926199 Website: www.BtopTech.cn www.BtopTech.com		Approved							REV.	V1.21			

20191216 增加?脚 20191023