



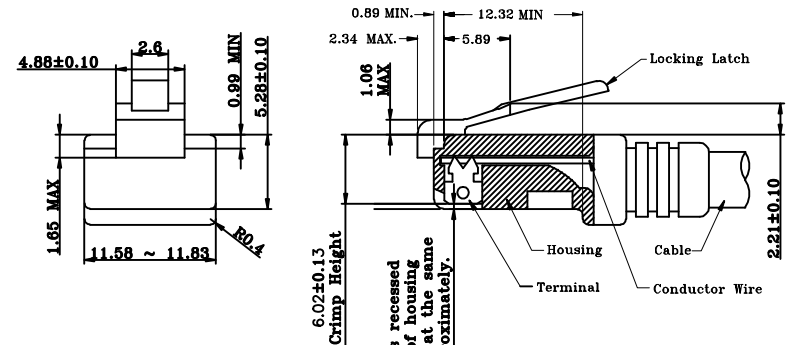
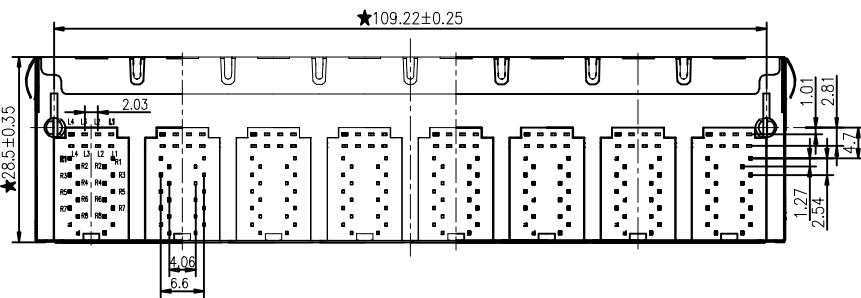
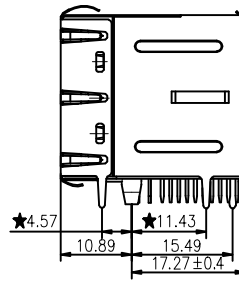
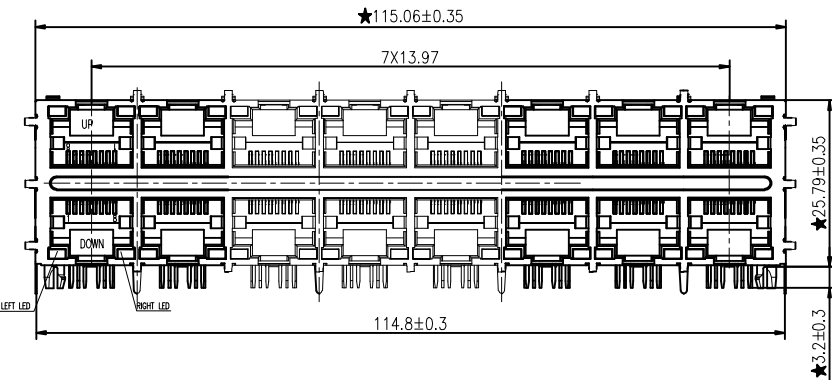
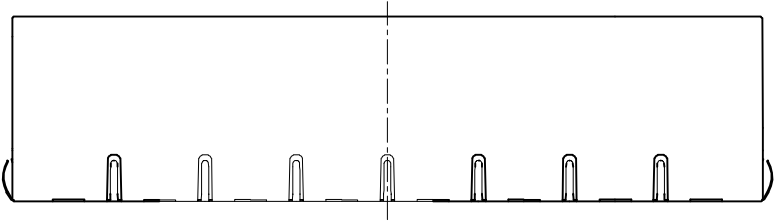
DESCRIPTION:  
RJ45 With internal Magnetics Connector  
Designed to support such applications as: Ethernet Equipment Complex, Switches, Routers, Firewalls, Servers and Hub  
Internal magnetics are 100% electrically tested for functionality per IEEE802.3af/at requirement

ELECTRICAL:  
RoHS peak wave solder temperature rating 235°C  
High performance for maximum EMI suppression  
JACK CAVITY CONFORMS TO FCC RULES AND REGULATIONS, PART 68 SUBPART F.  
INSERTION FORCE: 2 CONTACTS----350g 4 CONTACTS----500g  
6 CONTACTS----750g 8 CONTACTS----900g  
10 CONTACTS----1050g

MECHANICAL:  
RETENTION STRENGTH: 7.7Kgs BETWEEN JACK AND PLUG  
DURABILITY: 750 MATING CYCLES Mini  
HOUSING: 1) GLASS FILLED PA66 (UL 94V-0)  
2) GLASS FILLED PA46/LCP (UL 94V-0)  
3) GLASS FILLED PBT (UL 94V-0)

MATERIAL:  
SPRING WIRE:  
1) 0.2-0.45mm DIA PHOSPHOR BRONZE GOLD PLATING OVER NICKEL  
2) 0.2-0.35mm THICKNESS PHOSPHOR BRONZE ALLOY SELECTIVE GOLD PLATING OVER NICKEL;  
GOLD PLATING: 3μ#, 6μ#, 15μ#, 30μ#, 50μ#

1. Recommend Plug Dim



All contacts recessed below top of housing and must be at the same height approximately.

All dimensions follow :  
FCC subpart F, 68,500, Figure (C)(2)(i)  
IEC 60603-7  
STANDARD MODULAR PLUG ASSEMBLY

NOTES : 1. Tolerance : PCB ±0.05mm  
Connector ±0.25mm  
2. Connector dimensions comply with FCC 68.5 dimension requirements

**B-TOP** 东莞市博腾电子科技有限公司  
Dongguan BtopTech Electronic Technology Co., Ltd.

DIM. TOL.  
X ±0.30  
X.X ±0.20  
X.XX ±0.15  
X.XXX ±0.10  
GENERAL ANGLE: ±3°

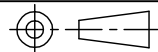
UNIT: mm  
SCALE: 1:1  
SHEET: 1 of 2  
DWG. SIZE: A4  
LAYER: XXXX

WEBSITE: WWW.BTOPTECH.COM  
WWW.BTOPTECH.CN  
TEL: 0769-38928198  
FAX: 0769-38928199

DRAWN:  
CHECKED:  
APPROVED:

TITLE: B59(197-01)W-000-8625-C12

PART NO.: 2X8Port W/ SHELL W/ LED (GY+GY)

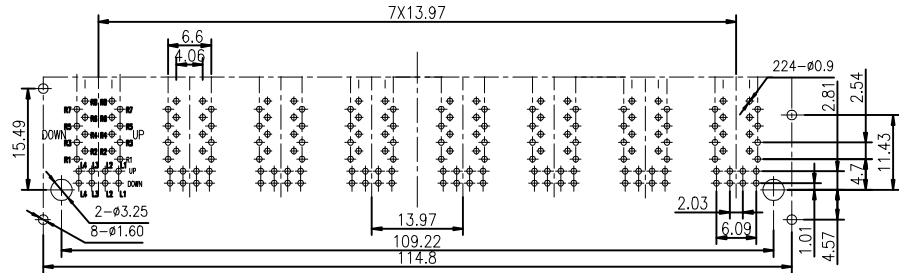


XA	NEW RELEASE	xxxx	Jason	2018-May-24
REV.	DESCRIPTION	ECN NO.	NAME	DATE

REVISIONS

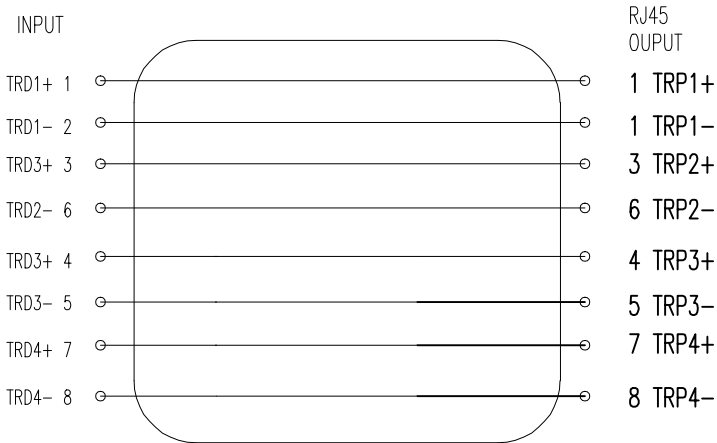
RJ45 specifications  
 Insulation Resistance : 500MΩ min  
 Insertion force with the latch depressed : 20N max  
 Removal force with the latch depressed : 20N max.  
 Locking Force of Plug Latch : 50N min. @ 60+/-5 sec.  
 Operating temperature -40°C to +85°C  
 Storage temperature -40°C to +85°C

### 3.Pin Assignment For PCB Layout



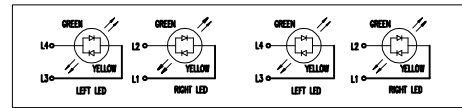
**Suggested PCB Pad Layout**  
Component Side View

### 2.SCHEMATIC:



### LED Specification

Standard LED Color	LED Wavelength	Forward (V MAX)	Typical (V TYP)	Luminous Intensity
Green	560-580 nm	2.5V	2.1-2.2V	9-25 MCD
Yellow	580-610 nm	2.5V	2.1-2.2V	9-30 MCD
Orange	580-610 nm	2.5V	2.1-2.2V	50-100 MCD



### 4.ORDER INFORMATION

**B** **N** (**Z**) **G** **X** - **M**-**A** **B** **C** **D** - **E** **H** **I**

"B" with the company code

Series of products:  
 60: Double deck RJ45 connector+transformer series (in vertical footprint);  
 59: Double deck RJ45 connector+transformer series (in sidelong footprint);  
 50: Single RJ45 + transformer series;  
 52/53/55/56 LED/56/57/58: Ordinary RJ45 series; DX: that strip line series;  
 40: Conversion said Connectivity  
 80: Series that UK;  
 91: Automotive connector public Block;  
 92: Automotive connector mother Block;  
 93: HDMI the head;  
 94: HDMI mother Block;  
 95: SMT series;  
 98: RHS for switches

Family code (sequence id) : 1-99

Type of product code:  
 G: Gigabit RJ45 transformer;  
 F: 100Base RJ45 transformer;  
 W: for no transformer RJ45 products;  
 M: Series for board-to-board code ,  
 S: 5GB RJ45 transformer  
 T: 10GB RJ45 transformer

Number of magnetic ring

The No. of circuit

Product definition LOGO:  
 1-Press "B-TOP"; 2-No "B-TOP";  
 3-Other companies LOGO

Product definition plastic materials:  
 1-PA66, 2-PA46, 3-PA, 4-PA6, 5-PBT,  
 6-ABS, 7-PA9T, 8-PC, 9-LCP

Pin definition of the product:  
 F-Pin after; B-Pin back; C- No definition of the product

Electroplating product definition:  
 gold-plated terminals (degrees after nickel plated)  
 1-15μ; 2-30μ; 3-60μ; 4-15μ; 5-30μ;  
 6-50μ; 7-(Ni-50μ, Sn-60-120μ)

Product shielding definition:  
 0-no shielding shell; 1-without shielding shell shrapnel;  
 2-shielding a shell shrapnel; 3-a half-shield shell;

Products luminous definition:  
 0- No LED; 1-Left Yellow Right Green; 2- Left Green Right Yellow;  
 3- Double Green; 4- Double Yellow; 5- LED straight for the pin;  
 6- A special definition; 7- Single linear LEDs

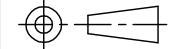
Products output:  
 1-2X1, 2-2X2, 4-2X4, 5-2X5, 6-2X6, 8-2X8, A-1X1,  
 B-1X2, C-1X4, D-1X5, E-1X6, T-1X8, U-(USB+RJ45), P-TAB  
 UP1X1, H-TAB UP1X2; K-TAB UP1X4.

**B-TOP** 东莞市博腾电子科技有限公司  
 Dongguan BtopTech Electronic Technology Co., Ltd.

TITLE: B59(197-01)W-000-8625-C12

PART NO.: 2XPort W/ SHELL W/ LED (GY+GY)

DIM.	TOL.
X	±0.30
X.X	±0.20
X.XX	±0.15
X.XXX	±0.10
GENERAL ANGLE:	±3°



UNIT:	mm
SCALE:	1:1
SHEET:	2 of 2
DWG. SIZE:	A4
LAYER:	XXXX

WEBSITE:	WWW.BTOPTECH.COM
	WWW.BTOPTECH.CN
TEL:	0769-38928198
FAX:	0769-38928199
DRAWN:	
CHECKED:	
APPROVED:	

REV.	DESCRIPTION	ECN NO.	NAME	DATE
XA	NEW RELEASE	xxxx	Jason	2018-May-24

### REVISIONS