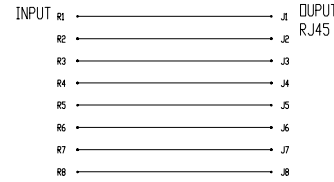
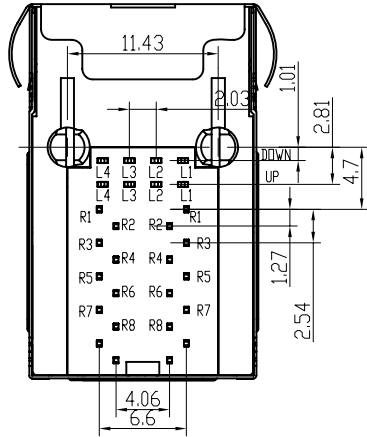
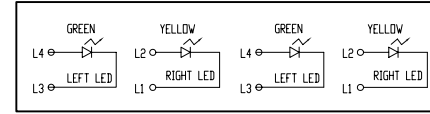


PCB BOARD LAYOUT



连线关系



LED Specification

Standard LED Color	LED Wavelength	Forward (V MAX)	Typical (V TYP)	Luminous Intensity
Green	560-580 nm	2.5V	2.1-2.2V	9-25 MCD
Yellow	580-610 nm	2.5V	2.1-2.2V	9-30 MCD
Orange	580-610 nm	2.5V	2.1-2.2V	50-100 MCD



- LED intensity/wavelength measured with Photo Research PR-650 Colormeter
- With a forward current of 20 mA, Absolute Maximum Ratings (Ta=25°C)

HOUSING: 1) GLASS FILLED PA66 (UL 94V-0)

SPRING WIRE: 0.25-0.35mm THICKNESS PHOSPHOR BRONZE ALLOY ;BOTTOM LAYER NICKEL (30-50μ") BETWEEN BRIGHT TIN (60-120μ");OVER SELECTIVE GOLD PLATING

GOLD PLATING: F μ", 3 μ", 6 μ", 15 μ", 30 μ", 50 μ"

Signal pin: 0.4*0.4 THICKNESS COPPER ALLOY WITH BOTTOM LAYER NI 30~50U" OVER BRIGHT TIN 60~120U" SHIELDING: 0.2-0.24mm THICKNESS COPPER ALLOY WITH HALF BRIGHT NICKEL (50-100μ") PLATED

Storage: -40°C~85°C Relative Humidity<70% Operating: -40°C~85°C

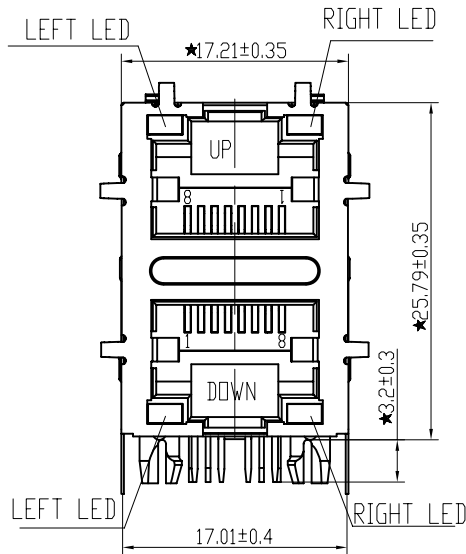
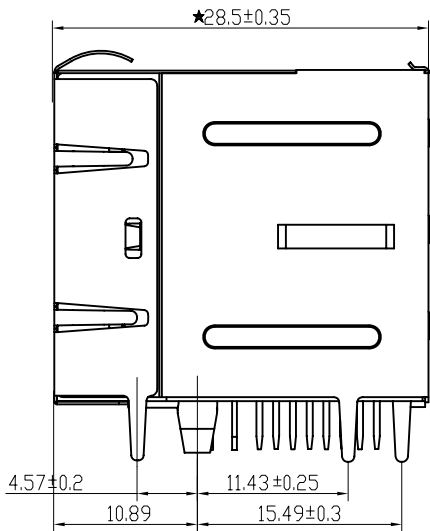
TOLERANCES UNLESS OTHERWISE SPECIFIED : 0-10±0.15, 10-20±0.2, 20-40±0.25, 40-70±0.3, ≥70±0.4 JACK CAVITY CONFORMS TO FCC RULES AND REGULATIONS, PART 68 SUBPART F.

A

A

B

B



B N (Z) G X - M - A B C D - E H I

"B" with the company code

Series of products: 60: Double deck RJ45 connector + transformer series (in sidelong footprint); 59: Double deck RJ45 connector + transformer series (in vertical footprint); 50: Single RJ45 + transformer series; 52/53/55/56 LED/56/57/59: Ordinary RJ45 series; 40: that strip line series; 40: Conversion said Connectivity 80: Series that LR; 91: Automotive connector public Block; 92: Automotive connector mother Block; 93: IBM (the head); 94: IBM mother Block; 95: SMT series; 96: BHS for switches

Family code (sequence id): 1-99

Type of product code: G: Gigabit RJ45 transformer; F: 100Base RJ45 transformer; E: for no transformer RJ45 products; W: Series for board-to-board code

Number of magnetic ring

The No. of circuit

Product definition LOGO: 1 - Press "B-TOP"; 2 - No "B-TOP"; 3 - Other companies LOGO

Product definition plastic materials: 1-PA66, 2-PA46, 3-PA, 4-PA6, 5-PBT, 6-ABS, 7-PA9T, 8-PC, 9-1C1

Pin definition of the product: F-Pin after; B-Pin back; C- No definition of the product

Electroplating product definition: gold-plated terminals (degrees after nickel plated) 1-F μ", 2-3 μ", 3-6 μ", 4-15 μ", 5-30 μ", 6-50 μ", 7-(Ni-50 μ", Sn-80-120 μ")

Product shielding definition: 0 - no shielding shell; 1 - without shielding shell strapnet; 2 - shielding a shell strapnet; 3 - a half-shield shell

Products luminous definition: 0 - No LED; 1 - Left Yellow Right Green; 2 - Left Green Right Yellow; 3 - Double Green; 4 - Double Yellow; 5 - LED straight for the pin; 6 - A special definition; 7 - Single linear LEDs

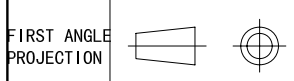
Products out part: 1-2X1 2-2X2 4-2X4 5-2X5 6-2X6 8-2X8 A-1X1 B-1X2 C-1X4 D-1X5 E-1X6 T-1X8 U-(USB-RJ45) I-TAB UP1X1 H-TAB UP1X2 K-TAB UP1X4

B-TOP® 东莞市博腾电子科技有限公司
Dongguan BroadTop Electronic Technology Co., Ltd.

Designed
Checked
Approved

MATERIAL
SCALE 1.8:1
UNIT mm
MODEL NO.

DESCRIPTION B59(57-07)W-1222-C12(2X1 EMI G-Y LED)
REV. V1.1



TEL: 0769-38926198
FAX: 0769-38926199
Website: www.BtopTech.com

20171118