

DESCRIPTION:
 RJ45 With internal Magnetics Connector
 Designed to support such applications as: Ethernet Equipment Complex, Switches, Routers, Firewalls, Servers and Hub
 Internal magnetics are 100% electrically tested for functionality per IEEE802.3af/at requirement

ELECTRICAL:
 RoHS peak wave solder temperature rating 260°C 3-5sec
 High performance for maximum EMI suppression
 JACK CAVITY CONFORMS TO FCC RULES AND REGULATIONS, PART 68 SUBPART F.

INSERTION FORCE:
 2 CONTACTS----350g 4 CONTACTS----500g
 6 CONTACTS----750g 8 CONTACTS----900g
 10 CONTACTS----1050g

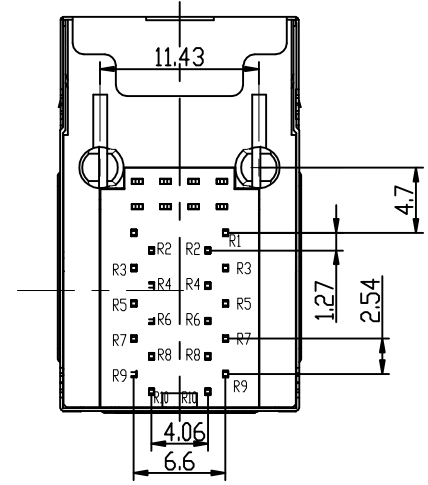
MECHANICAL:
 RETENTION STRENGTH: 7.7Kgs BETWEEN JACK AND PLUG
 DURABILITY: 750 MATING CYCLES Mini

HOUSING:
 1) GLASS FILLED PA66 (UL 94V-0)
 2) GLASS FILLED PA46/LCP (UL 94V-0)
 3) GLASS FILLED PBT (UL 94V-0)

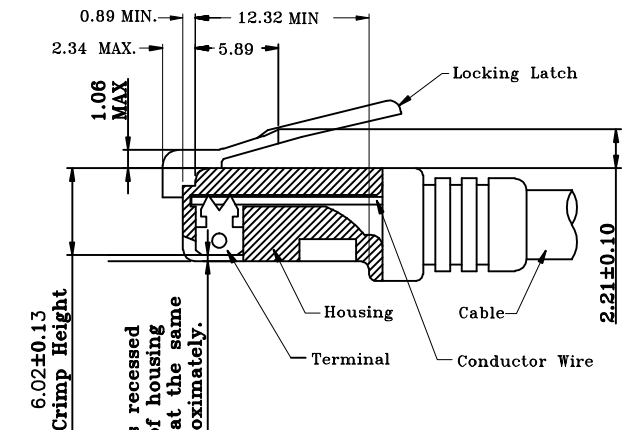
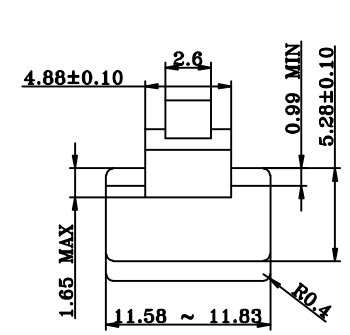
MATERIAL:
 SPRING WIRE:
 1) 0.2-0.45mm DIA PHOSPHOR BRONZE GOLD PLATING OVER NICKEL
 2) 0.2-0.35mm THICKNESS PHOSPHOR BRONZE ALLOY SELECTIVE GOLD PLATING OVER NICKEL;

GOLD PLATING: 3μ#, 6μ#, 15μ#, 30μ#, 50μ#
TOLERANCES UNLESS OTHERWISE SPECIFIED :
 0-10±0.15, 10-20±0.2, 20-40±0.25, 40-70±0.3, ≥70±0.4

1. Recommend Plug Dim



NOTES :
 1. Tolerance : PCB ±0.05mm
 Connector ±0.25mm
 2. Connector dimensions comply with FCC 68.5 dimension requirements



All contacts recessed below top of housing and must be at the same height approximately.

All dimensions follow :
 FCC subpart F, 68,500, Figure (C)(2)(i)
 IEC 60603-7
 STANDARD MODULAR PLUG ASSEMBLY

B-TOP 东莞市博腾电子科技有限公司
 Dongguan BtopTech Electronic Technology Co., Ltd.

DIM.	TOL.	UNIT:	mm
X	±0.30	SCALE:	1:1
X.X	±0.20	SHEET:	1 of 2
X.XX	±0.15	DWG. SIZE:	A4
X.XXX	±0.10	LAYER:	XXXX
GENERAL ANGLE:		APPROVED:	
±3°			

TITLE:	B59(57-18)W-1013-C12
PART NO.:	2X1Port No transformer W/ SHELL W/o LED

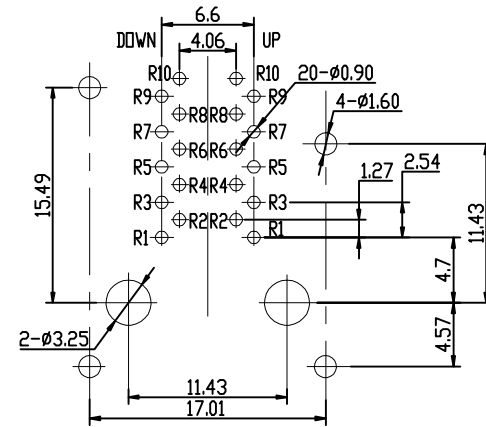
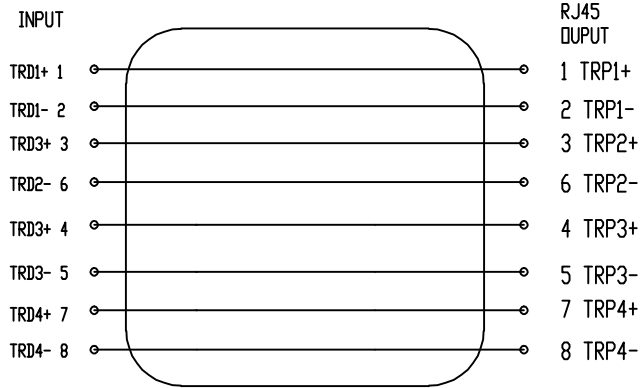
WEBSITE:	WWW.BTOPTECH.COM			
TEL:	WWW.BTOPTECH.CN			
FAX:	0769-38928198			
FAX:	0769-38928199			
DRAWN:				
CHECKED:	XA	NEW RELEASE	xxxx	Jason
APPROVED:	REV.	DESCRIPTION	ECN NO.	NAME
REVISIONS				
				DATE
				2018-Apr-24

Meets or exceeds IEEE 802.3 standard for No transformer
 Available with or without LEDs
 Operating temperature -40°C to +85°C
 Storage temperature -40°C to +85°C

3.Pin Assignment For PCB Layout



2.SCHEMATIC:



Suggested PCB Pad Layout
Component Side View

4.ORDER INFORMATION

"B" with the company code

Series of products:
 60:Double deck RJ45 connector+transformer series(In sidelong footprint);
 59:Double deck RJ45 connector+transformer series(In vertical footprint);
 50: Single RJ45 + transformer series;
 52/53/55/56 LED/56/57/59: Ordinary RJ45 series;DX: that strip line series;
 40: Conversion said Connectivity
 80: Series that UK;
 91: Automotive connector public Block;
 92: Automotive connector mother Block;
 93: HDMI the head;
 94: HDMI mother Block;
 95: SMT series;
 96: RBS for switches

Family code (sequence id) :1-99

Type of product code:
 G: Gigabit RJ45 transformer;
 F: 100Base RJ45 transformer;
 W: for no transformer RJ45 products;
 M: Series for board-to-board code

Number of magnetic ring

The No. of circuit

Product definition LOGO:
 1-Press "B-TOP";2-No "B-TOP";
 3- Other companies LOGO

Product definition plastic materials:
 1-PA6,2-PA66,3-PA, 4-PA6, 5-PBT,
 6-ABS, 7-PA9T,8-PC,9-LCP

Pin definition of the product:
 F-Pin after; B-Pin back; C- No definition of the product

Electroplating product definition:
 gold-plated terminals(degrees after nickel plated)
 1-F μ ; 2-3 μ ;3-6 μ ; 4-15 μ ; 5-30 μ ;
 6-60 μ ;7-(Ni-60 μ ,Sn-80-120 μ).

Product shielding definition:
 0-no shielding shell; 1-without shielding shell shrapnel;
 2-shielding a shell shrapnel; 3-a half-shield shell;

Products luminous definition:
 0- No LED; 1-Left Yellow Right Green; 2- Left Green Right Yellow; 3- Double Green; 4- Double Yellow; 5- LED straight for the pin; 6- A special definition; 7- Single linear LEDs

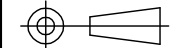
Products outport:
 1-2X1,2-2X2,4-2X4,5-2X5,6-2X6,8-2X8 A-1X1;
 B-1X2, C-1X4, D-1X5, E-1X6, T-1X8, U-(USB+RJ45),P-TAB
 UP1X1,H-TAB UP1X2,K-TAB UP1X4;

B-TOP 东莞市博腾电子科技有限公司
 Dongguan BtopTech Electronic Technology Co., Ltd.

TITLE: B59(57-18)W-1013-C12

PART NO.: 2X1Port No transformer W/ SHELL W/o LED

DIM. TOL.
 X ± 0.30
 X.X ± 0.20
 X.XX ± 0.15
 X.XXX ± 0.10
 GENERAL ANGLE:
 $\pm 3^\circ$



UNIT: mm
 SCALE: 1:1
 SHEET: 2 of 2
 DWG. SIZE: A4
 LAYER: XXXX

WEBSITE: WWW.BTOPTECH.COM
 WWW.BTOPTECH.CN
 TEL: 0769-38926198
 FAX: 0769-38926199

DRAWN:
 CHECKED:
 APPROVED:

XA	NEW RELEASE	xxxx	Jason	2018-Apr-24
REV.	DESCRIPTION	ECN NO.	NAME	DATE

REVISIONS