

NOTES:

- 1.MATERIAL: NICKEL SILVER, THICKNESS 0.25mm
- 2.PACKAGING: TRAY PACKAGING
- 3.TEMPERATURE RANGE: -55°C TO +85°C

"B" with the company code

Series of products: 60-Double deck RJ45 connector + transformer series (in side long footprint); 50-Double deck RJ45 connector + transformer series (in vertical footprint) 50; Single RJ45 + transformer series: S2, S3, S6, S6 LED, S6, S7, S9; Ordinary RJ45 series: 01; that strip line series: 40; Conversion acid Connectivity: 8; Series that 1K; 91; Automotive connector part: 1004-52; Automotive connector another Block: 92; IBM the board: 94; IBM1 another Block: 95; SMT package: 96; BLS: 100 and 101

Family code (sequence ID): 1-99

Type of product code: 0: Double RJ45 transformer; 1: With RJ45 transformer; 2: For an transformer RJ45 product; 3: Series for base product code

Number of magnetic ring  
The No. of circuit

Product definition LOGO: 1 - Press "B-TOP"; 2 - No "B-TOP"; 3 - Other companies LOGO

Product definition plastic materials: 1-PA66, 2-PA46, 3-PA, 4-PA6, 5-PBT, 6-ABS, 7-PABT, 8-PC, 9-LCP

Pin definition of the product: F-Pin after; B-Pin back; C-No definition of the product

Electroplating product definition: gold-plated terminals (degrees after nickel plated) 1-F<sub>1</sub> "; 2-3<sub>1</sub> "; 3-6<sub>1</sub> "; 4-15<sub>1</sub> "; 5-30<sub>1</sub> "; 6-60<sub>1</sub> "; 7-(N-60<sub>1</sub> " 5x-60-120<sub>1</sub> " )

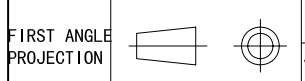
Product shielding definition: 0 - no shielding shell; 1 - without shielding shell stripped; 2 - shielding a shell stripped; 3 - a full-shell shell

Product luminous definition: 0 - No LED; 1 - 4-Left Yellow Right Green; 2 - Left Green Right Yellow; 3 - Double Green; 4 - Double Yellow; 5 - LED straight for the pin; 6 - A special definition; 7 - Single Linear LEDs

Products out sort: 1-0101 1-0201 1-0301 1-0401 1-0501 1-0601 1-0701 1-0801 1-0901 1-1001 1-1101 1-1201 1-1301 1-1401 1-1501 1-1601 1-1701 1-1801 1-1901 1-2001 1-2101 1-2201 1-2301 1-2401 1-2501 1-2601 1-2701 1-2801 1-2901 1-3001 1-3101 1-3201 1-3301 1-3401 1-3501 1-3601 1-3701 1-3801 1-3901 1-4001 1-4101 1-4201 1-4301 1-4401 1-4501 1-4601 1-4701 1-4801 1-4901 1-5001 1-5101 1-5201 1-5301 1-5401 1-5501 1-5601 1-5701 1-5801 1-5901 1-6001 1-6101 1-6201 1-6301 1-6401 1-6501 1-6601 1-6701 1-6801 1-6901 1-7001 1-7101 1-7201 1-7301 1-7401 1-7501 1-7601 1-7701 1-7801 1-7901 1-8001 1-8101 1-8201 1-8301 1-8401 1-8501 1-8601 1-8701 1-8801 1-8901 1-9001 1-9101 1-9201 1-9301 1-9401 1-9501 1-9601 1-9701 1-9801 1-9901

**B-TOP®** 东莞市博腾电子科技有限公司  
Dongguan BroadTop Electronic Technology Co., Ltd.

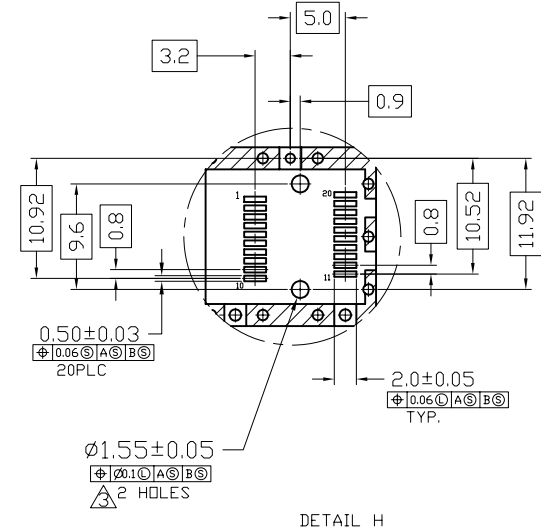
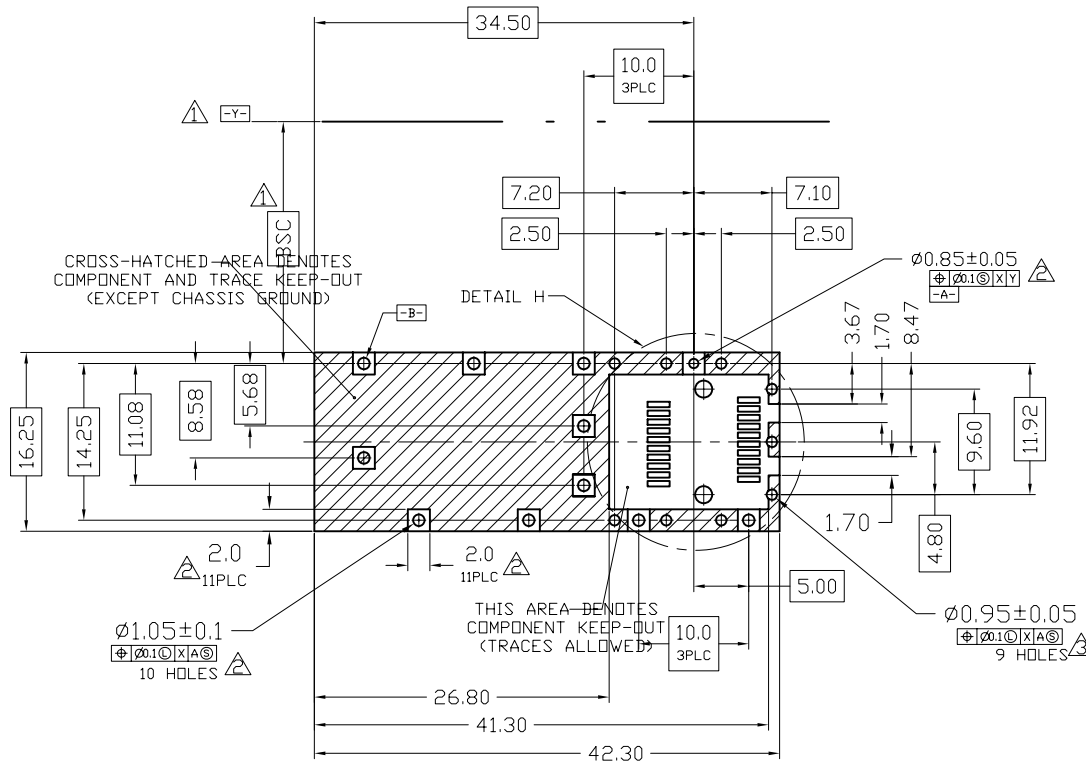
Designed		MATERIAL		DESCRIPTION	BSFP(01-11)S-A024-C92(SFP 1X1 压接脚)
Checked		SCALE	1.5:1	UNIT	mm
Approved		MODEL NO.			



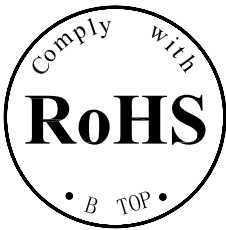
TEL: 0769-38926198  
FAX: 0769-38926199  
Website: www.BtopTech.cn  
www.BtopTech.com

1-1

REV.  
1.1



ECOMMENDED PCB CONFIGURATION



NOTES:

- 1. DATUM AND BASIC DIMENSIONS ESTABLISHED BY CUSTOMER
- 2. PADS AND VIAS ARE CHASSIS GROUND, 11 PLACES
- 3. THRU HOLES, PLATING OPTIONAL

**B-TOP®** 东莞市博腾电子科技有限公司  
Dongguan BroadTop Electronic Technology Co., Ltd.

Designed

MATERIAL

DESCRIPTION

BSFP(01-11)S-A024-C92(SFP 1X1 压接脚)

Checked

SCALE

1.5:1

UNIT

mm

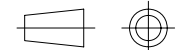
MODEL NO.

1-2

REV.

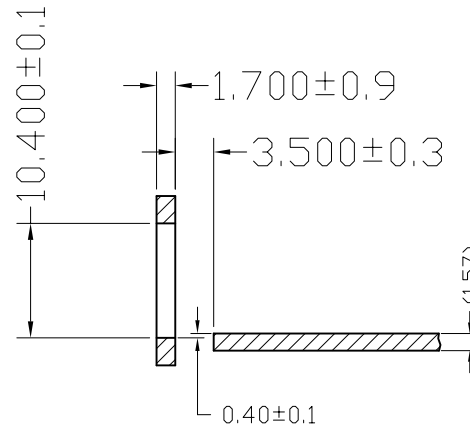
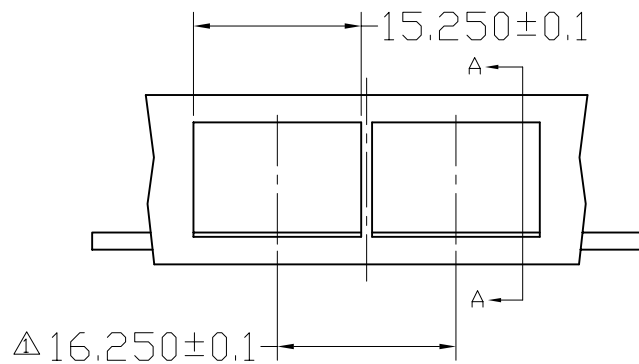
1.1

FIRST ANGLE PROJECTION



TEL: 0769-38926198  
FAX: 0769-38926199  
Website: www.BtopTech.cn  
www.BtopTech.com

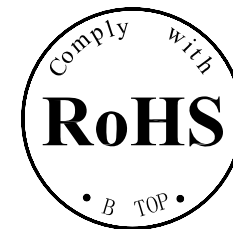
Approved



BEZEL OPENING  
BELOW PC BOARD  
SECTION A-A

RECOMMENDED BEZEL DESIGN

NOTES:  
 ⚠ MINIMUM PITCH ILLUSTRATED, ENGLISH DIMENSIONS ARE FOR REFERENCE ONLY



**B-TOP®** 东莞市博腾电子科技有限公司  
 Dongguan BroadTop Electronic Technology Co., Ltd.

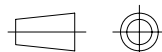
Designed  
 Checked  
 Approved

MATERIAL

DESCRIPTION

BSFP(01-11)S-A024-C92(SFP 1X1 压接脚)

FIRST ANGLE PROJECTION



TEL: 0769-38926198  
 FAX: 0769-38926199  
 Website: www.BtopTech.cn  
 www.BtopTech.com

SCALE

1.5:1

UNIT

mm

MODEL NO.

1-3

REV.

1.1