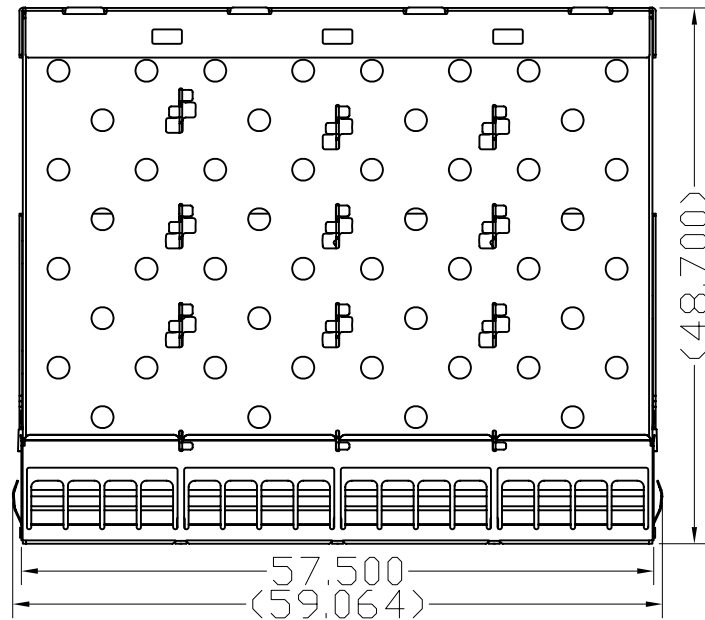
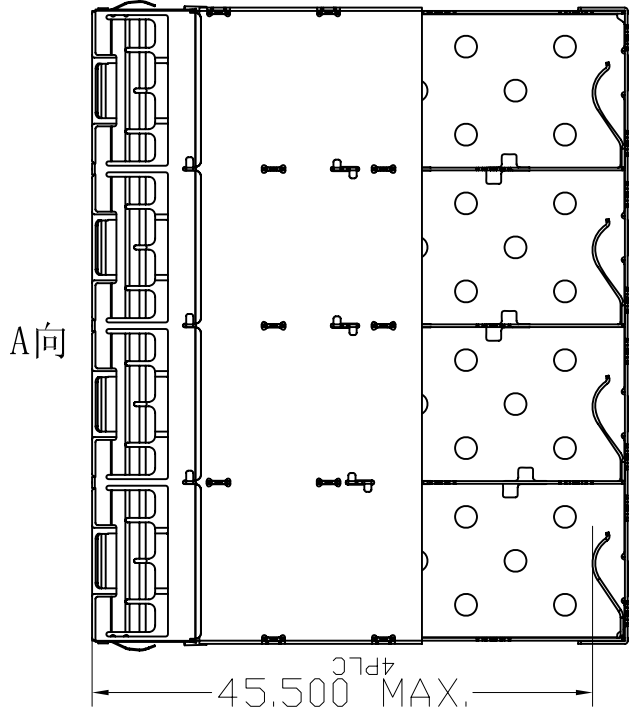


NOTES:

- 1.MATERIAL: NICKEL SILVER, THICKNESS 0.25mm
- 2.PACKAGING: TRAY PACKAGING
- 3.TEMPERATURE RANGE: -55°C TO +85°C



Pin definition table:

Pin	Pin Definition
1	Press 'B-TOP'
2	Other company LOGO
3	Product definition LOGO: 1- Press 'B-TOP'
4	Product definition LOGO: 2-PA, 3-PA, 4-PA, 5-PA, 6-PA, 7-PA, 8-PA, 9-PA, 10-PA, 11-PA, 12-PA, 13-PA, 14-PA, 15-PA, 16-PA, 17-PA, 18-PA, 19-PA, 20-PA, 21-PA, 22-PA, 23-PA, 24-PA, 25-PA, 26-PA, 27-PA, 28-PA, 29-PA, 30-PA, 31-PA, 32-PA, 33-PA, 34-PA, 35-PA, 36-PA, 37-PA, 38-PA, 39-PA, 40-PA, 41-PA, 42-PA, 43-PA, 44-PA, 45-PA, 46-PA, 47-PA, 48-PA, 49-PA, 50-PA, 51-PA, 52-PA, 53-PA, 54-PA, 55-PA, 56-PA, 57-PA, 58-PA, 59-PA, 60-PA, 61-PA, 62-PA, 63-PA, 64-PA, 65-PA, 66-PA, 67-PA, 68-PA, 69-PA, 70-PA, 71-PA, 72-PA, 73-PA, 74-PA, 75-PA, 76-PA, 77-PA, 78-PA, 79-PA, 80-PA, 81-PA, 82-PA, 83-PA, 84-PA, 85-PA, 86-PA, 87-PA, 88-PA, 89-PA, 90-PA, 91-PA, 92-PA, 93-PA, 94-PA, 95-PA, 96-PA, 97-PA, 98-PA, 99-PA, 100-PA
101	Product definition LOGO: 1- Press 'B-TOP'
102	Product definition LOGO: 2-PA, 3-PA, 4-PA, 5-PA, 6-PA, 7-PA, 8-PA, 9-PA, 10-PA, 11-PA, 12-PA, 13-PA, 14-PA, 15-PA, 16-PA, 17-PA, 18-PA, 19-PA, 20-PA, 21-PA, 22-PA, 23-PA, 24-PA, 25-PA, 26-PA, 27-PA, 28-PA, 29-PA, 30-PA, 31-PA, 32-PA, 33-PA, 34-PA, 35-PA, 36-PA, 37-PA, 38-PA, 39-PA, 40-PA, 41-PA, 42-PA, 43-PA, 44-PA, 45-PA, 46-PA, 47-PA, 48-PA, 49-PA, 50-PA, 51-PA, 52-PA, 53-PA, 54-PA, 55-PA, 56-PA, 57-PA, 58-PA, 59-PA, 60-PA, 61-PA, 62-PA, 63-PA, 64-PA, 65-PA, 66-PA, 67-PA, 68-PA, 69-PA, 70-PA, 71-PA, 72-PA, 73-PA, 74-PA, 75-PA, 76-PA, 77-PA, 78-PA, 79-PA, 80-PA, 81-PA, 82-PA, 83-PA, 84-PA, 85-PA, 86-PA, 87-PA, 88-PA, 89-PA, 90-PA, 91-PA, 92-PA, 93-PA, 94-PA, 95-PA, 96-PA, 97-PA, 98-PA, 99-PA, 100-PA

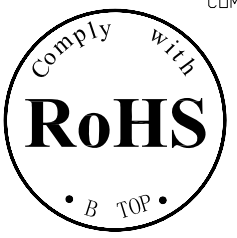
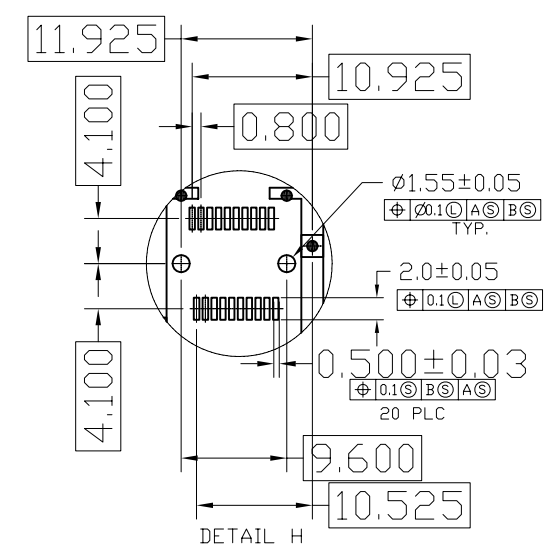
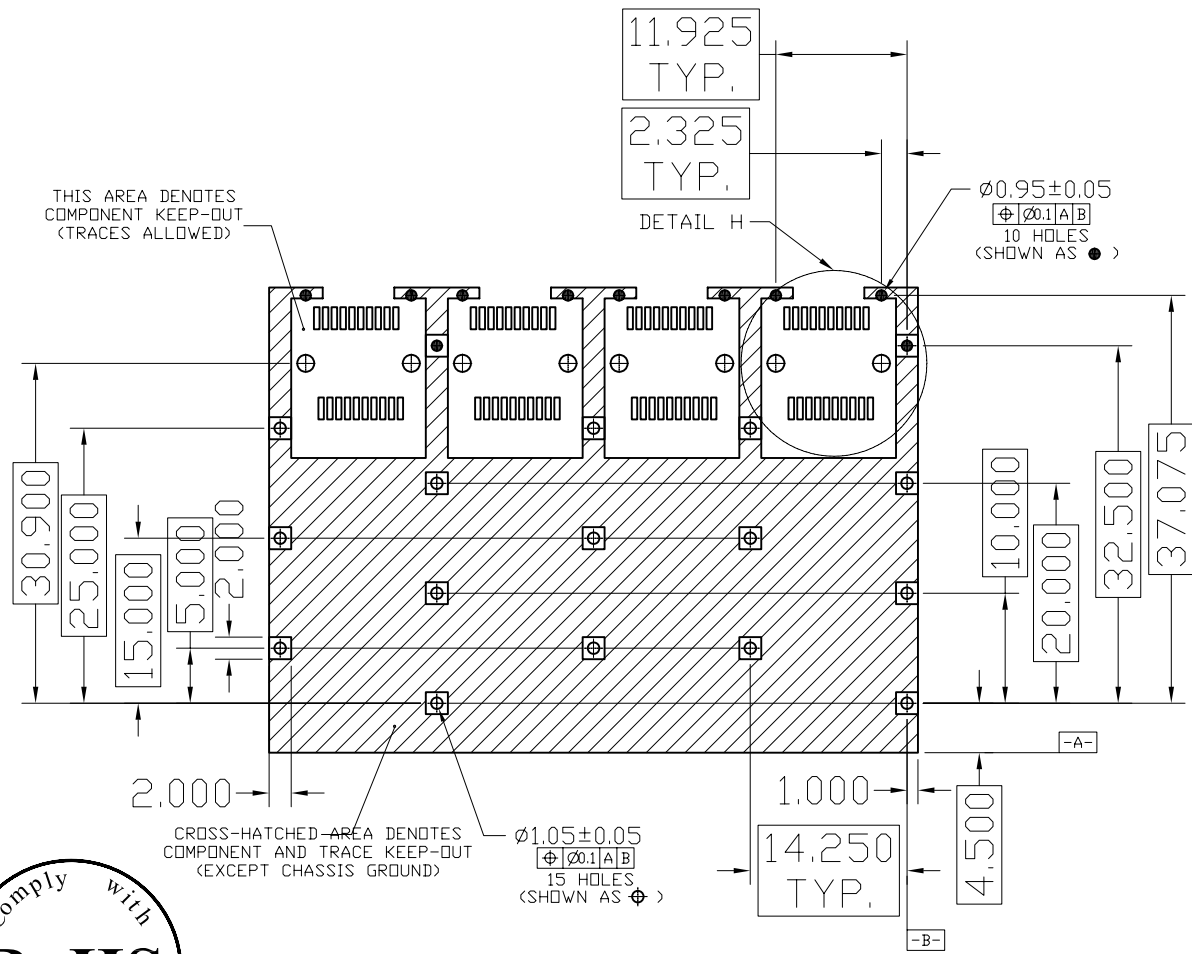
<b>B-TOP® 东莞市博腾电子科技有限公司</b> Dongguan BroadTop Electronic Technology Co., Ltd.				Designed				MATERIAL				DESCRIPTION	BSFP+(01-42)S-C024-C92(SFP+ 1X4 万兆压接脚)	
FIRST ANGLE PROJECTION				Checked				SCALE	1.5:1	UNIT	mm	MODEL NO.	1-1	
TEL: 0769-38926198 FAX: 0769-38926199 Website: www.BtopTech.cn www.BtopTech.com				Approved									REV.	1.1
20180818				1				由 Autodesk 教育版产品制作				2		

由 Autodesk 教育版产品制作

由 Autodesk 教育版产品制作

20180818

由 Autodesk 教育版产品制作

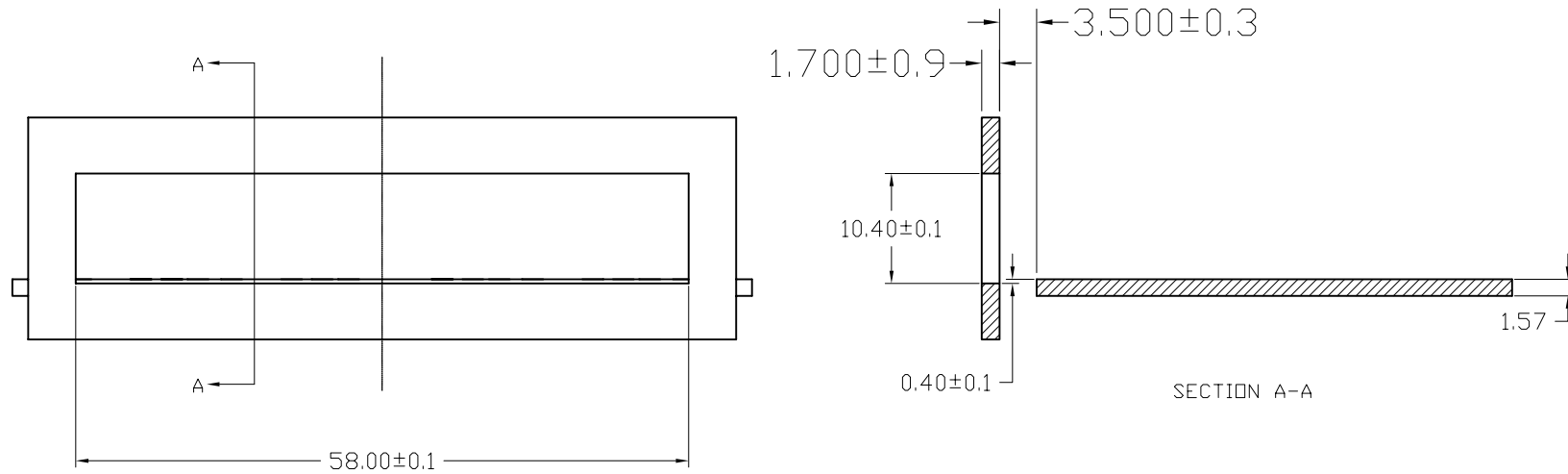


- NOTES:
- ① DATUM AND BASIC DIMENSIONS ESTABLISHED BY CUSTOMER
  - ② PADS AND VIAS ARE CHASSIS GROUND, 11 PLACES
  - ③ THRU HOLES, PLATING OPTIONAL

<b>B-TOP® 东莞市博腾电子科技有限公司</b> Dongguan BroadTop Electronic Technology Co., Ltd.		Designed	MATERIAL		DESCRIPTION		BSFP+(01-42)S-C024-C92(SFP+ 1X4 万兆压接脚)	
FIRST ANGLE PROJECTION 		Checked	SCALE	1.5:1	UNIT	mm	MODEL NO.	1-2
TEL: 0769-38926198 FAX: 0769-38926199 Website: www.BtopTech.cn www.BtopTech.com		Approved					REV. 1.1	

由 Autodesk 教育版产品制作

由 Autodesk 教育版产品制作



RECOMMENDED BEZEL DESIGN

NOTES:  
 ⚠ MINIMUM PITCH ILLUSTRATED, ENGLISH DIMENSIONS ARE FOR REFERENCE ONLY



**B-TOP®** 东莞市博腾电子科技有限公司  
 Dongguan BroadTop Electronic Technology Co., Ltd.

Designed			MATERIAL			DESCRIPTION	BSFP+(01-42)S-C024-C92(SFP+ 1X4 万兆压接脚)	
Checked			SCALE	1.5:1	UNIT	mm	MODEL NO.	1-3
Approved							REV.	1.1

FIRST ANGLE PROJECTION

TEL: 0769-38926198  
 FAX: 0769-38926199  
 Website: www.BtopTech.cn  
 www.BtopTech.com