

SPECIFICATIONS

CURRENT RATING: 1.5A VOLTAGE RATING: 125V AC
 INSULATION RESISTANCE: 500MΩ Mini
 WITHSTAND VOLTAGE: AC 1500 V RMS 50Hz OR 60Hz 1 Min
 CONTACT RESISTANCE: 20mΩ Max
 INSERTION FORCE: 2 CONTACTS----350g 4 CONTACTS----500g
 6 CONTACTS----750g 8 CONTACTS----900g
 10 CONTACTS----1050g

RETENTION STRENGTH: 7.7Kg BETWEEN JACK AND PLUG
 DURABILITY: 750 MATING CYCLES Mini

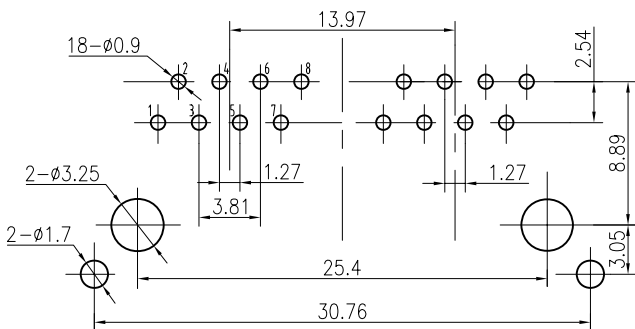
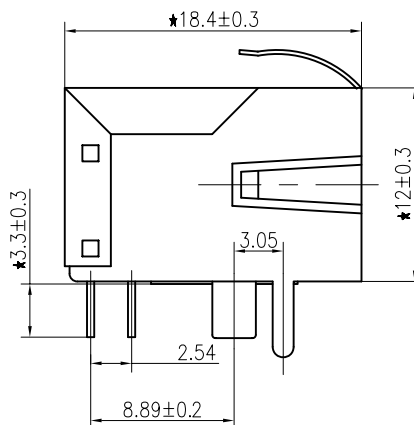
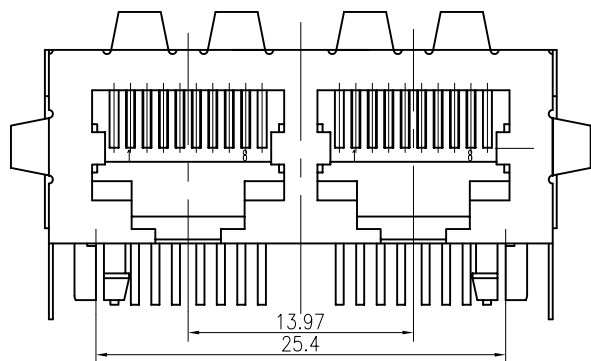
HOUSING: 1) GLASS FILLED PA66 (UL 94V-0)
 2) GLASS FILLED PA46 (UL 94V-0)
 3) GLASS FILLED PBT (UL 94V-0)

SPRING WIRE: 1) 0.45mm DIA PHOSPHOR BRONZE GOLD PLATING OVER NICKEL
 2) 0.35mm THICKNESS PHOSPHOR BRONZE ALLOY SELECTIVE GOLD PLATING OVER NICKEL

SHIELDING: 0.24mm THICKNESS COPPER ALLOY WITH TIN PLATED
 GOLD PLATING: F μ", 3 μ", 6 μ", 15 μ", 30 μ", 50 μ"

WORKING TEMPERATURE: -40℃~70℃

TOLERANCES UNLESS OTHERWISE SPECIFIED: 0~10±0.15, 10~20±0.2, 20~40±0.25,
 40~70±0.3, ≥70±0.4



PCB BOARD LAYOUT

"B" with the company code

Series of products: 59: Double RJ45 + transformer series; 50: Single RJ45 + transformer series; 52/53/55/56 LED/56/57/59: Ordinary RJ45 series; DX: that strip line series; 40: Conversion said Connectivity 80: Series that 1K; 91: Automotive connector public Block; 92: Automotive connector mother Block; 93: HDMI the head; 94: HDMI mother Block; 95: SMT series; 96: BHS for switches

Family code (sequence id): 1-99

Type of product code: G: Gigabit RJ45 transformer; F: 100Base RJ45 transformer; W for no transformer RJ45 products; V Series for board-to-board code; M: Series for board-to-board code

Products out part: 1-2X1; 2-2X2; 4-2X4; 5-2X5; 6-2X6; 8-2X8; A-1X1; B-1X2; C-1X4; D-1X5; E-1X6; T-1X8; U-(USB+RJ45); P-TAB UPC(2X1); H-TAB UPC(10); K-TAB UPC(10); 1X4:

Products luminous definition: 0 - No LED; 1 - Left Yellow Right Green; 2 - Left Green Right Yellow; 3 - Double Green; 4 - Double Yellow; 5 - LED straight for the pin; 6 - A special definition:

B	N	Z	G	-	A	B	C	D	-	E	H	I
<p>Product definition LOGO: 1 - Press "B-TOP"; 2 - No "B-TOP"; 3 - Other companies LOGO</p> <p>Product definition plastic materials: 1-PA66, 2-PA46, 3-PA, 4-PA6, 5-PBT, 6-ABS, 7-PA9T, 8-PC</p> <p>Pin definition of the product: F-Pin after; B-Pin back; C- No definition of the product</p> <p>Electroplating product definition: gold-plated terminals (degrees after nickel plated) 1-F μ"; 2-3 μ"; 3-6 μ"; 4-15 μ"; 5-30 μ"; 6-50 μ"; 7-(Ni-50 μ"; Sn-80-120 μ");</p> <p>Product shielding definition: 0 - no shielding shell; 1 - without shielding shell shrapnet; 2 - shielding a shell shrapnet; 3 - a half-shield shell;</p>												

B-TOP 东莞市博腾电子科技有限公司
 Dongguan BroadTop Electronic Technology Co., Ltd.

Designed

MATERIAL

DESCRIPTION

B56(07-11)W-B021-F52(5622 1X2 8P EMI)

Checked

SCALE

2.2:1

UNIT

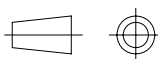
mm

MODEL NO.

REV.

V1.1

FIRST ANGLE PROJECTION



TEL: 0769-38926198
 FAX: 0769-38926199
 Website: www.BtopTech.cn
 www.BtopTech.com