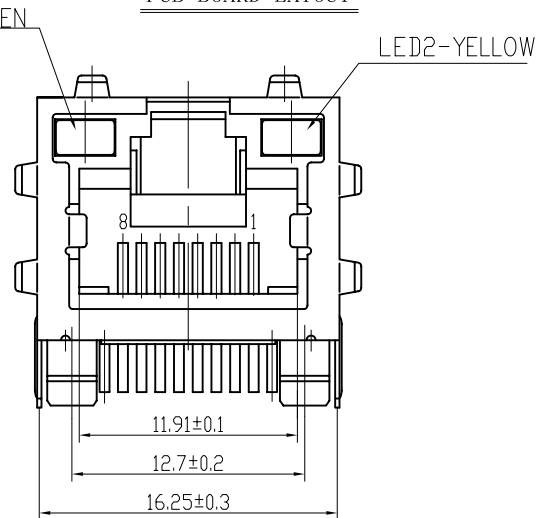
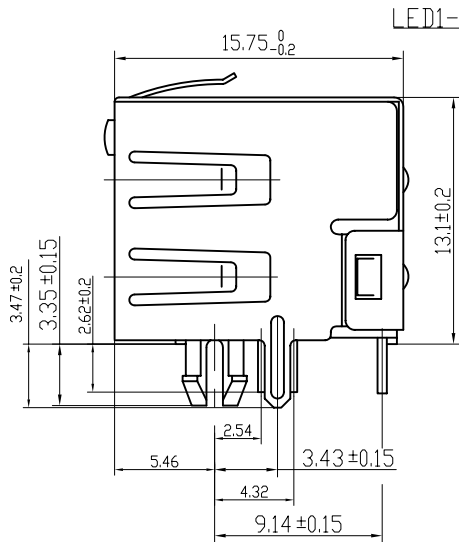


PCB BOARD LAYOUT



NOTICE

ELECTRICAL :

CURRENT RATING:1.5A VOLTAGE RATING: 125V AC INSULATION RESISTANCE:500M Ω Mini
 WITHSTAND VOLTAGE: AC 1500 V RMS 50Hz OR 60Hz 1 Min CONTACT RESISTANCE: 20m Ω Max
 MECHANICAL:

INSERTION FORCE: 2 CONTACTS----350g, 4 CONTACTS----500g,
 6 CONTACTS----750g, 8 CONTACTS----900g,10 CONTACTS----1050g ;
 RETENTION STRENGTH: 7.7Kg BETWEEN JACK AND PLUG
 DURABILITY: 750 MATING CYCLES Mini;

MATERIAL:

HOUSING: 1) GLASS FILLED PA66 (UL 94V-0), 2) GLASS FILLED PA46 (UL 94V-0)
 3) GLASS FILLED PBT (UL 94V-0)

SPRING WIRE: 1) 0.45mm DIA PHOSPHOR BRONZE GOLD PLATING OVER NICKEL
 2) 0.35mm THICKNESS PHOSPHOR BRONZE ALLOY SELECTIVE GOLD PLATING OVER NICKEL

SHIELDING: 0.25mm THICKNESS COPPER ALLOY WITH TIN PLATED

GOLD PLATING: 3 μ " , 6 μ " , 15 μ " , 30 μ " , 50 μ "

WORKING TEMPERATURE: -40 $^{\circ}$ C~70 $^{\circ}$ C

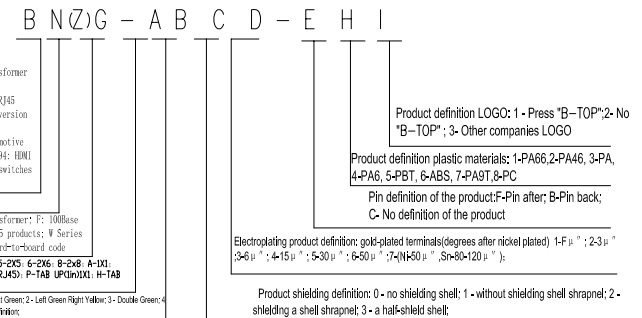
TOLERANCES UNLESS OTHERWISE SPECIFIED : 0~10 \pm 0.15, 10~20 \pm 0.2, 20~40 \pm 0.25, 40~70 \pm 0.3, \geq 70 \pm 0.4.

Series of products: 89: Double RJ45 + transformer
 series: 50: Single RJ45 + transformer
 series:52,53,55,56 LED,56,57,59: Ordinary RJ45
 series:0K: that strip line series; 40: Conversion
 said Connectivity 80: Series that UK; 91:
 Automotive connector public Block;92: Automotive
 connector another Block; 93: HDMI the head;94: HDMI
 mother Block; 95: SIM series; 96: BHS for switches

Type of product code: G: Gigabit RJ45 transformer; F: 100Base
 RJ45 transformer; V for no transformer RJ45 products; W Series
 for board-to-board code; M: Series for board-to-board code

Products out part: 1-2X1 2-2X2 4-2X4 5-2X5 6-2X6 8-2X8 A-1X1
 B-3X2 C-1X4 D-1X5 E-1X6 F-1X8 U-GUSB+RJ45; P-TAB UP(10)X1; H-TAB
 UP(10) D12, K-TAB UP(10) D14.

Products luminous definition: 0- No LED; 1-Left Yellow Right Green; 2- Left Green Right Yellow; 3- Double Green; 4-
 -Double Yellow; 5- LED straight for the pin; 6- A special definition;



B-TOP[®] 东莞市博腾电子科技有限公司
 Dongguan BroadTop Electronic Technology Co., Ltd.

Designed

Checked

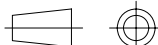
Approved

MATERIAL

DESCRIPTION

B56LED(02-02)W-A221-B12(1X1 EMI LED G-Y)

FIRST ANGLE PROJECTION



TEL: 0769-38926198
 FAX: 0769-38926199
 Website: www.BtopTech.cn
 www.BtopTech.com

SCALE

2.5:1

UNIT

mm

MODEL NO.

REV.

V1.1