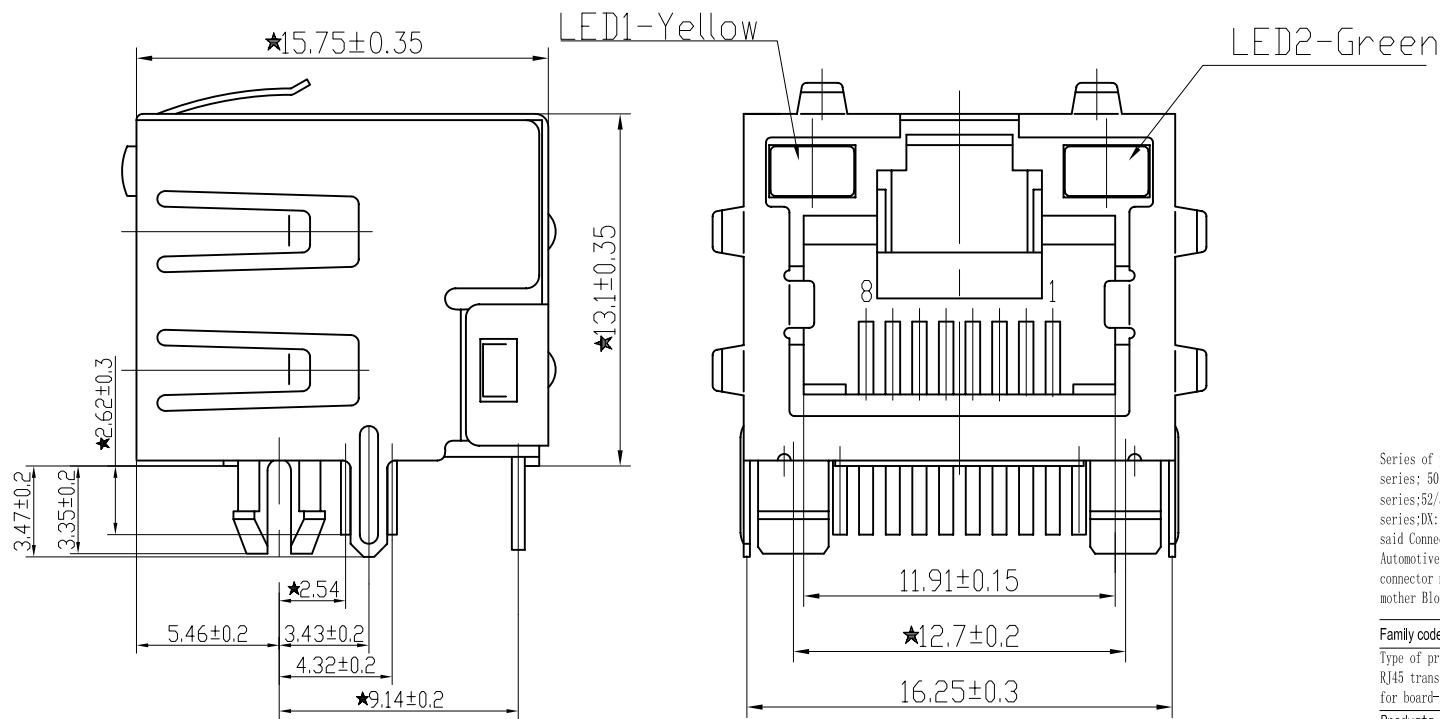


NOTICE

ELECTRICAL :
 CURRENT RATING:1.5A VOLTAGE RATING: 125V AC INSULATION RESISTANCE:500M Ω Mini
 WITHSTAND VOLTAGE: AC 1500 V RMS 50Hz OR 60Hz 1 Min CONTACT RESISTANCE: 20m Ω Max

MECHANICAL:
 INSERTION FORCE: 2 CONTACTS----350g, 4 CONTACTS----500g,
 6 CONTACTS----750g, 8 CONTACTS----900g, 10 CONTACTS----1050g ;
 RETENTION STRENGTH: 7.7Kg BETWEEN JACK AND PLUG
 DURABILITY: 750 MATING CYCLES Mini;

MATERIAL:
 HOUSING: 1) GLASS FILLED PBT (UL 94V-0)
 SPRING WIRE: 1) 0.45mm DIA PHOSPHOR BRONZE GOLD PLATING OVER NICKEL
 SHIELDING: 0.25mm THICKNESS COPPER ALLOY WITH TIN PLATED
 GOLD PLATING: 0.5 μ " ,1.5 μ " ,3 μ " , 6 μ " , 15 μ " , 30 μ " , 50 μ "
 WORKING TEMPERATURE: -40 $^{\circ}$ C~70 $^{\circ}$ C
 TOLERANCES UNLESS OTHERWISE SPECIFIED : 0~10 \pm 0.15, 10~20 \pm 0.2, 20~40 \pm 0.25, 40~70 \pm 0.3, \geq 70 \pm 0.4.



B N(Z) G - A B C D - E H I

Series of products: 59: Double RJ45 + transformer
 series: 50: Single RJ45 + transformer
 series: 52/53/55/56 LED/56/57/59: Ordinary RJ45
 series: W: that strip line series: 40: Conversion
 said Connectivity 80: Series that IX: 91:
 Automotive connector public Block: 92: Automotive
 connector mother Block: 93: HDMI the head: 94: HDMI
 mother Block: 95: SMT series: 96: RRS for switches

Family code (sequence id): 1-99
 Type of product code: G: Gigabit RJ45 transformer; F: 100Base
 RJ45 transformer; W for no transformer RJ45 products; W Series
 for board-to-board code; M: Series for board-to-board code

Products out part: 1-2X1; 2-2X2; 4-2X4; 5-2X5; 6-2X6; 8-2x8; A-1X1;
 B-1X2; C-1X4; D-1X5; E-1X6; T-1X8; U-(USB+RJ45); P-TAB UP(tin)IX1; H-TAB
 UP(tin) IX2; K-TAB UP(tin) IX4;

Products luminous definition: 0- No LED; 1-Left Yellow Right Green; 2- Left Green Right Yellow; 3- Double Green; 4-
 Double Yellow; 5- LED straight for the pic; 6 - A special definition;

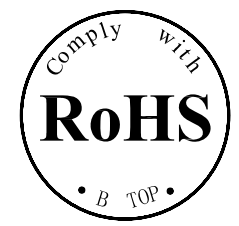
Product definition LOGO: 1 - Press "B-TOP"; 2- No
 "B-TOP"; 3- Other companies LOGO

Product definition plastic materials: 1-PA66, 2-PA46, 3-PA,
 4-PA6, 5-PBT, 6-ABS, 7-PA9T, 8-PC

Pin definition of the product: F-Pin after; B-Pin back;
 C- No definition of the product

Electroplating product definition: gold-plated terminals(degrees after nickel plated) 1-F μ " ; 2-3 μ "
 ; 3-6 μ " ; 4-15 μ " ; 5-30 μ " ; 6-50 μ " ; 7-(N-50 μ " , Sn-80-120 μ ");

Product shielding definition: 0 - no shielding shell; 1 - without shielding shell shrapnel; 2 -
 shielding a shell shrapnel; 3 - a half-shield shell;



B-TOP[®] 东莞市博腾电子科技有限公司
 Dongguan BroadTop Electronic Technology Co., Ltd.

Designed		MATERIAL		DESCRIPTION	B56LED(02-10)W-A121-B52(1X1 EMI LED Y-G)
Checked		SCALE	2.5:1	UNIT	mm
Approved		MODEL NO.			

FIRST ANGLE PROJECTION

TEL: 0769-38926198
 FAX: 0769-38926199
 Website: www.BtopTech.cn
 www.BtopTech.com

REV.
V1.2

命名更改 2017.8.18