



**SPECIFICATION NOTES:**  
**ELECTRICAL:**

- VOLTAGE RATING: 125 VAC RMS
- CURRENT RATING: 1.5 AMP
- CONTACT RESISTANCE: 30mΩ MAX.
- INSULATION RESISTANCE: 1000MΩMIN. AT 500V DC.
- DIELECTRIC STRENGTH: 1000 VAC 50Hz 1MINUTE

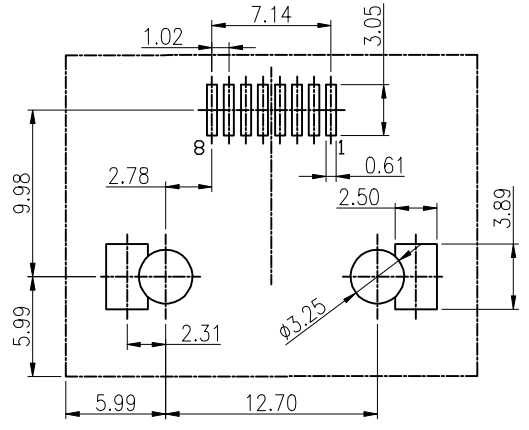
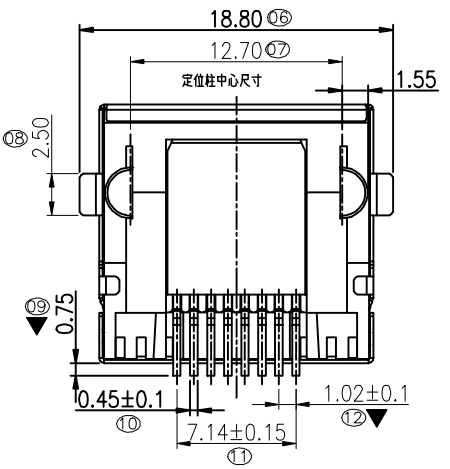
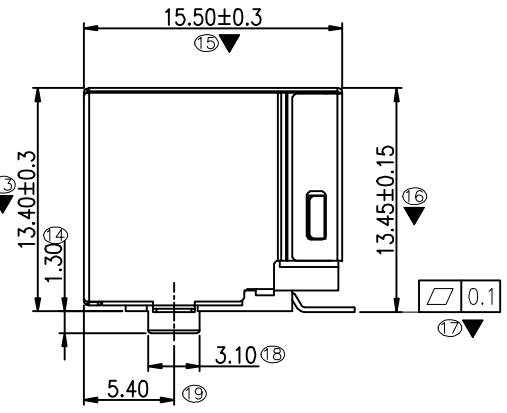
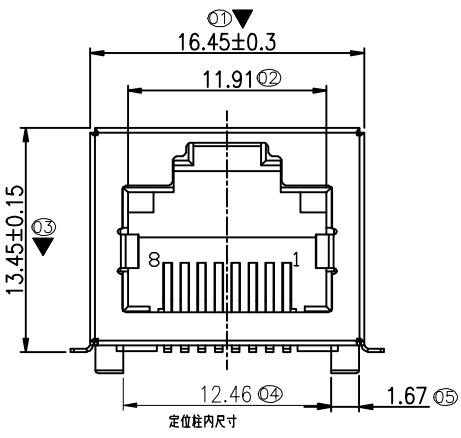
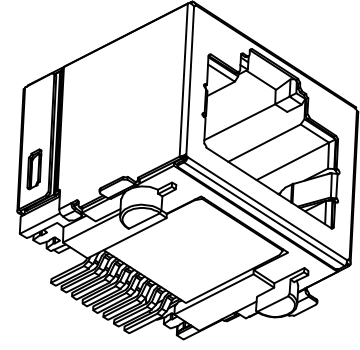
**MECHANICAL:**

- HOUSING/INSERT MATERIAL: THERMOPLASTIC, LCP UL94V-0 RATED, COLOR BLACK.
- CONTACT MATERIAL: C5191-H T=0.30MM
- SHELL MATERIAL: C2680-H T=0.20MM.
- PLATING: GOLD PLATING OVER NICKEL, PLATED NICKEL 30-50U". SN 100-150U. GOLD PLATED ON CONTACT AREA FU/3U/6U/15U/30U" SHELL PLATING: PLATED NICKEL 30-80U".
- OPERATING LIFE: 750 CYCLES MIN.
- MATING FORCE: 22.5N MAX.

**ENVIRONMENTAL:**

- STORAGE: -40°C TO +85°C
- OPERATION: -40°C TO +85°C

标有“Φ”为FAI尺寸, 标有“▼”号为重点管控及首件检测尺寸.



Recommend PCB Layout  
(Jack Top View)  
TOLERANCES: ±0.05

- NOTES : 1. Tolerance : PCB ±0.05mm  
Connector ±0.25mm  
2. Connector dimensions comply with FCC 68.5 dimension requirements

**ORDER INFORMATION**

**"B" with the company code**

Series of products:  
 00: Double deck RJ45 connector+transformer series (in sidelong footprint);  
 50: Double deck RJ45 connector+transformer series (in vertical footprint);  
 00: Single RJ45 + transformer series;  
 02/03/05/06 LED/06/07/08: Ordinary RJ45 series; 0X: that strip line series;  
 40: Conversion said Connectivity  
 80: Series that UK;  
 91: Automotive connector public Block;  
 92: Automotive connector mother Block;  
 93: HDMI the head;  
 94: HDMI mother Block;  
 95: SMT series;  
 96: RRS for switches

Family code (sequence id) : 1-99

Type of product code:  
 G: Gigabit RJ45 transformer;  
 F: 100Base RJ45 transformer;  
 V: for no transformer RJ45 products;  
 M: Series for board-to-board code

Number of magnetic ring

The No. of circuit

Product definition LOGO:  
 1-Press "B-TOP"-No "B-TOP";  
 3- Other companies LOGO

Product definition plastic materials:  
 1-PA66, 2-PA46, 3-PA, 4-PA6, 5-PBT,  
 6-ABS, 7-PA9T, 8-PC, 9-LCP

Pin definition of the product:  
 F-Pin after; B-Pin back; C- No definition of the product

Electroplating product definition:  
 gold-plated terminals (degrees after nickel plated)  
 1-F; 2-S; 3-D; 4-L; 5-30; 6-50; 7-(N)-50; 8-80-120μ

Product shielding definition:  
 0-no shielding shell; 1-without shielding shell shrapnel;  
 2-shielding a shell shrapnel; 3-a half-shield shell;

Products luminous definition:  
 0- No LED; 1-Left Yellow Right Green; 2- Left Green Right Yellow; 3- Double Green; 4- Double Yellow; 5- LED straight for the pin; 6- a special definition; 7- Single linear LED

Products output:  
 1-2X1, 0-2X2, 4-2X4, 5-2X5, 6-2X6, 6-2X8, A-1X1,  
 B-1X2, C-1X4, D-1X8, E-1X6, T-1X5, U-(USB+RJ45), P-TAB  
 UPIX1; H-TAB UPIX2; K-TAB UPIX4;

**B-TOP** 东莞市博腾电子科技有限公司  
Dongguan BtopTech Electronic Technology Co., Ltd.

DIM.	TOL.	UNIT:	mm
X	±0.30	SCALE:	1:1
X.X	±0.20	SHEET:	1 of 2
X.XX	±0.15	DWG. SIZE:	A4
X.XXX	±0.10	LAYER:	XXXX
GENERAL ANGLE:	±3°		

WEBSITE:	WWW.BTOPTECH.COM
TEL:	0769-38928198
FAX:	0769-38928199
DRAWN:	
CHECKED:	
APPROVED:	

TITLE:	B56LED(18-07)W-A011-B92(56LED1X1 SMT)
PART NO.:	RJ45 8P8C 15.5 SMT W/ SHELL W/o LED

REV.	DESCRIPTION	ECN NO.	NAME	DATE
XA	NEW RELEASE	xxxx	Jason	2017-0ct-19

**REVISIONS**