

NOTICE

ELECTRICAL :
 CURRENT RATING:1.5A VOLTAGE RATING: 125V AC INSULATION RESISTANCE:500M Ω Mini
 WITHSTAND VOLTAGE: AC 1500 V RMS 50Hz OR 60Hz 1 Min CONTACT RESISTANCE: 20m Ω Max

MECHANICAL :
 INSERTION FORCE: 2 CONTACTS----350g, 4 CONTACTS----500g,
 6 CONTACTS----750g, 8 CONTACTS----900g, 10 CONTACTS----1050g ;
 RETENTION STRENGTH: 7.7kg BETWEEN JACK AND PLUG
 DURABILITY: 750 MATING CYCLES Mini;

MATERIAL:
 HOUSING: 1) GLASS FILLED PA66 (UL 94V-0), 2) GLASS FILLED PA46 (UL 94V-0)
 3) GLASS FILLED PBT (UL 94V-0)

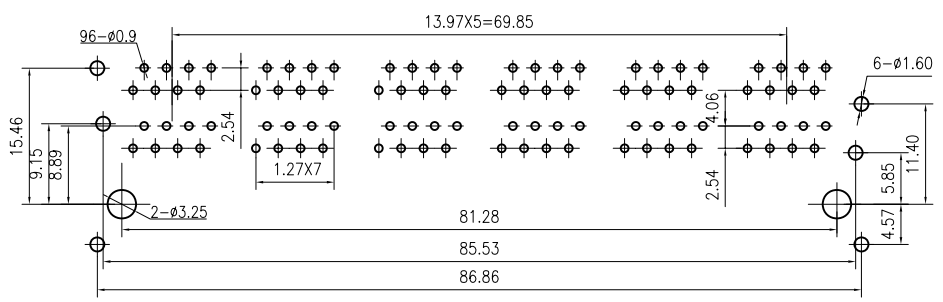
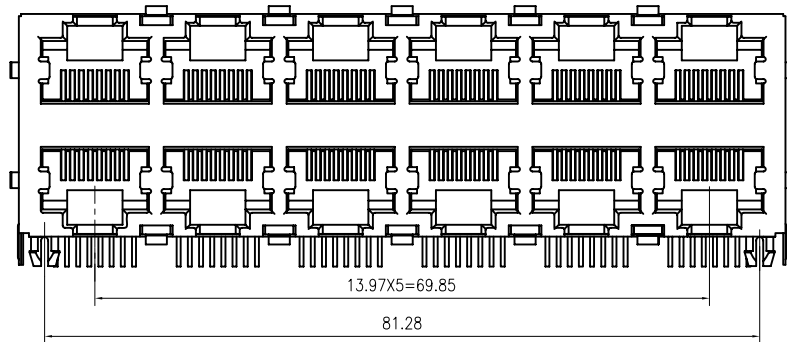
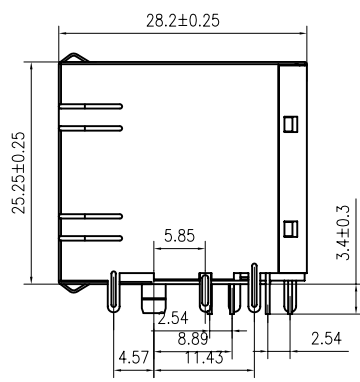
SPRING WIRE: 1) 0.45mm DIA PHOSPHOR BRONZE GOLD PLATING OVER NICKEL
 2) 0.35mm THICKNESS PHOSPHOR BRONZE ALLOY SELECTIVE GOLD PLATING OVER NICKEL

SHIELDING: 0.25mm THICKNESS COPPER ALLOY WITH TIN PLATED

GOLD PLATING: 3 μ *, 6 μ *, 15 μ *, 30 μ *, 50 μ *

WORKING TEMPERATURE: -40 \circ ~70 \circ

TOLERANCES UNLESS OTHERWISE SPECIFIED : 0~10±0.15, 10~20±0.2, 20~40±0.25, 40~70±0.3, >70±0.4.



PC Board Layout

"B" with the company code

Series of products: 59: Double RJ45 + transformer series; 50: Single RJ45 + transformer series; 52/53/55/56 LED/56/57/59: Ordinary RJ45 series; DI: that strip line series; 40: Conversion said Connectivity 80: Series that UK; 91: Automotive connector public Block; 92: Automotive connector mother Block; 93: HDMI the head; 94: HDMI mother Block; 95: SMT series; 96: RHS for switches

Family code (sequence id) :1-99

Type of product code: G: Gigabit RJ45 transformer; F: 100Base RJ45 transformer; N for no transformer RJ45 products; W Series for board-to-board code; M: Series for board-to-board code

Products out port: 1-2X1; 2-2X2; 4-2X4; 5-2X5; 6-2X6; 8-2x8; A-1X1; B-1X2; C-1X4; D-1X5; E-1X6; F-1X8; U-(USB+RJ45); P-TAB UPC(m)X1; H-TAB UPC(m) 1X2; K-TAB UPC(m) 1X4;
 Products luminous definition: 0- No LED; 1-Left Yellow Right Green; 2-Left Green Right Yellow; 3- Double Green; 4- Double Yellow; 5-LED straight for the pin; 6- A special definition;

B N (Z) G - A B C D - E H I

Product definition LOGO: 1- Press "B-TOP"; 2- No "B-TOP"; 3- Other companies LOGO

Product definition plastic materials: 1-PA66, 2-PA46, 3-PA, 4-PA6, 5-PBT, 6-ABS, 7-PA9T, 8-PC

Pin definition of the product: F-Pin after; B-Pin back; C- No definition of the product

Electroplating product definition: gold-plated terminals (degrees after nickel plated) 1-F μ ; 2-3 μ ; 3-6 μ ; 4-15 μ ; 5-30 μ ; 6-50 μ ; 7-(Ni-50 μ , Sn-80-120 μ);

Product shielding definition: 0- no shielding shell; 1- without shielding shell shrapnel; 2- shielding a shell shrapnel; 3- a half-shield shell;

B-TOP® 东莞市博腾电子科技有限公司
Dongguan BroadTop Electronic Technology Co., Ltd.

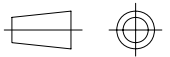
Designed
Checked
Approved

MATERIAL

DESCRIPTION

B59(06-02)W-6041-C52(B59 2X6 EMI)

FIRST ANGLE PROJECTION



TEL: 0769-38926198
FAX: 0769-38926199
Website: www.BtopTech.cn
www.BtopTech.com

SCALE

1.2:1

UNIT

mm

MODEL NO.

REV.

V1.0