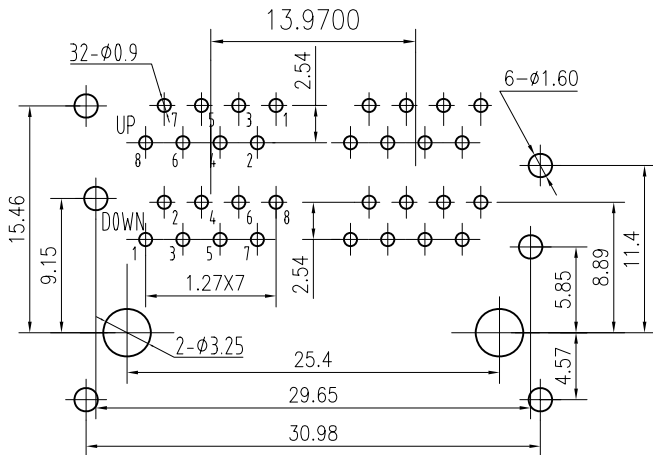


1

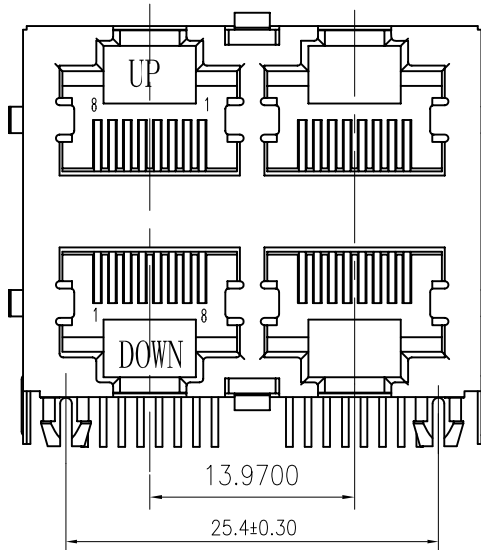
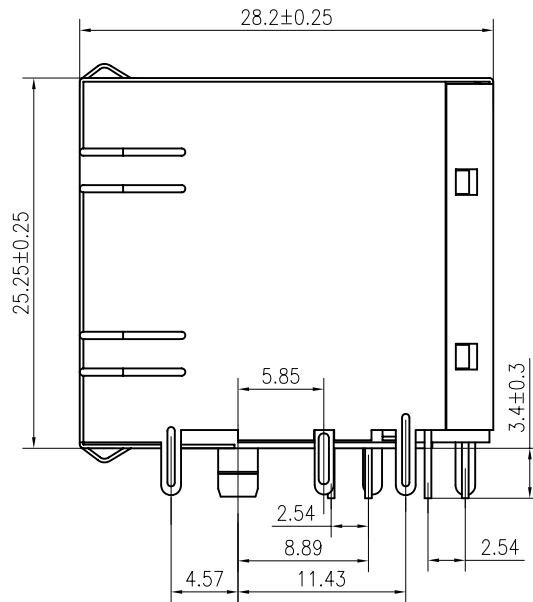
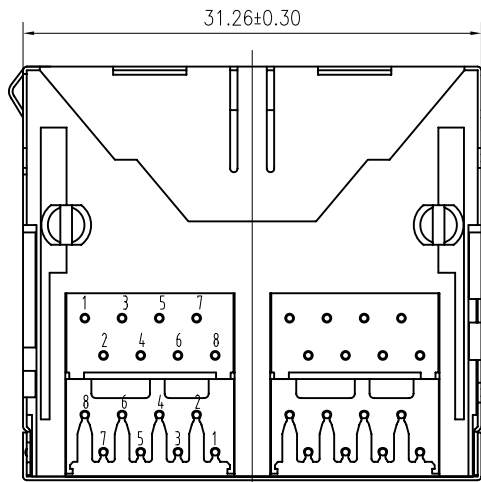
2

A

A

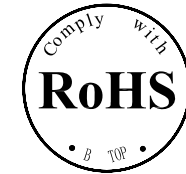


PC Board Layout



SPECIFICATIONS

- CURRENT RATING: 1.5A VOLTAGE RATING: 125V AC
- INSULATION RESISTANCE: 500MΩ Mini
- WITHSTAND VOLTAGE: AC 1500 V RMS 50Hz OR 60Hz 1 Min
- CONTACT RESISTANCE: 20mΩ Max
- INSERTION FORCE: 2 CONTACTS----350g 4 CONTACTS----500g
6 CONTACTS----750g 8 CONTACTS----900g
10 CONTACTS----1050g
- RETENTION STRENGTH: 7.7Kg BETWEEN JACK AND PLUG
- DURABILITY: 750 MATING CYCLES Mini
- HOUSING: 1) GLASS FILLED PA66 (UL 94V-0)
2) GLASS FILLED PA46 (UL 94V-0)
3) GLASS FILLED PBT (UL 94V-0)
- SPRING WIRE: 1) 0.45mm DIA PHOSPHOR BRONZE GOLD PLATING OVER NICKEL
2) 0.35mm THICKNESS PHOSPHOR BRONZE ALLOY SELECTIVE GOLD PLATING OVER NICKEL
- SHIELDING: 0.24mm THICKNESS COPPER ALLOY WITH TIN PLATED
- GOLD PLATING: 3μ", 6μ", 15μ", 30μ", 50μ"
- WORKING TEMPERATURE: -40°C~70°C
- TOLERANCES UNLESS OTHERWISE SPECIFIED: 0~10±0.15, 10~20±0.2, 20~40±0.25,
40~70±0.3, ≥70±0.4



"B" with the company code

Series of products: 88: Double RJ45 + transformer series; 89: Single RJ45 + transformer series; 92/93/95/96 LED/56/57/59: Ordinary RJ45 series; 0X: that strip line series; 40: Conversion said Connectivity 80: Series that UK; 91: Automotive connector public Block; 92: Automotive connector mother Block; 93: HDMI the head; 94: HDMI mother Block; 95: SII series; 96: MIS for switches

Family code (sequence id): 1-99

Type of product code: G: Gigabit RJ45 transformer; F: 100base RJ45 transformer; V for no transformer RJ45 products; V Series for board-to-board code; M: Series for board-to-board code

Products out part: 1-2X; 2-2X; 4-2X; 5-2X; 6-2X; 8-2X; A-1X; B-1X; C-1X; D-1X; E-1X; F-1X; G-1X; H-1X; I-1X; J-1X; K-1X; L-1X; M-1X; N-1X; O-1X; P-1X; Q-1X; R-1X; S-1X; T-1X; U-1X; V-1X; W-1X; X-1X; Y-1X; Z-1X; 1-1X; 2-1X; 3-1X; 4-1X; 5-1X; 6-1X; 7-1X; 8-1X; 9-1X; 10-1X; 11-1X; 12-1X; 13-1X; 14-1X; 15-1X; 16-1X; 17-1X; 18-1X; 19-1X; 20-1X; 21-1X; 22-1X; 23-1X; 24-1X; 25-1X; 26-1X; 27-1X; 28-1X; 29-1X; 30-1X; 31-1X; 32-1X; 33-1X; 34-1X; 35-1X; 36-1X; 37-1X; 38-1X; 39-1X; 40-1X; 41-1X; 42-1X; 43-1X; 44-1X; 45-1X; 46-1X; 47-1X; 48-1X; 49-1X; 50-1X; 51-1X; 52-1X; 53-1X; 54-1X; 55-1X; 56-1X; 57-1X; 58-1X; 59-1X; 60-1X; 61-1X; 62-1X; 63-1X; 64-1X; 65-1X; 66-1X; 67-1X; 68-1X; 69-1X; 70-1X; 71-1X; 72-1X; 73-1X; 74-1X; 75-1X; 76-1X; 77-1X; 78-1X; 79-1X; 80-1X; 81-1X; 82-1X; 83-1X; 84-1X; 85-1X; 86-1X; 87-1X; 88-1X; 89-1X; 90-1X; 91-1X; 92-1X; 93-1X; 94-1X; 95-1X; 96-1X; 97-1X; 98-1X; 99-1X

Products luminous definition: 0 - No LED; 1 - Left Yellow Right Green; 2 - Left Green Right Yellow; 3 - Double Green; 4 - Double Yellow; 5 - LED straight for the pin; 6 - A special definition

BN(Z)G - A B C D - E H I

Product definition LOGO: 1 - Press "B-TOP"; 2 - No "B-TOP"; 3 - Other companies LOGO

Product definition plastic materials: 1-PA66, 2-PA46, 3-PA, 4-PA6, 5-PBT, 6-ABS, 7-PA9T, 8-PC

Pin definition of the product: F-Pin after; B-Pin back; C- No definition of the product

Electroplating product definition: gold-plated terminals (degrees after nickel plated) 1-F μ", 2-3 μ", 3-6 μ", 4-15 μ", 5-30 μ", 6-60 μ", 7-4N-50 μ", Sn-80-120 μ";

Product shielding definition: 0 - no shielding shell; 1 - without shielding shell strapnet; 2 - shielding a shell strapnet; 3 - a half-shield shell;

B

B

B-TOP 东莞市博腾电子科技有限公司
Dongguan BroadTop Electronic Technology Co., Ltd.

Designed

MATERIAL

DESCRIPTION

B59(26)W-2041-C52(U59 2X2 EMI)

Checked

SCALE

2:1

UNIT

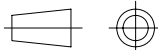
mm

MODEL NO.

B01021000511

REV.

FIRST ANGLE PROJECTION



TEL: 0769-38926198
FAX: 0769-38926199
Website: www.BtopTech.cn
www.BtopTech.com

1

2